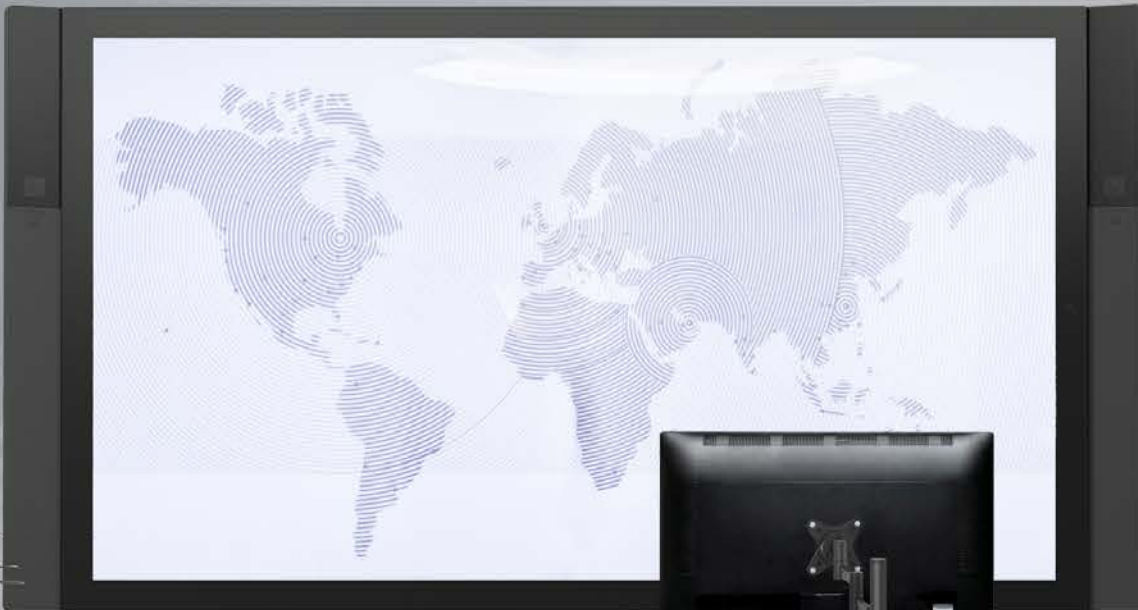


NEWSTAR
AV & IT MOUNTS

MOUNTING SOLUTIONS FOR AV AND IT



CATALOGUE
2018-2019



SPECIALIST BEHIND THE SCREENS

NEWSTAR
AV & IT MOUNTS



ABOUT NEWSTAR

Since 1996, NewStar is the European market leader in affordable mounting solutions for TVs, LFDs, monitors, projectors, PCs, laptops and tablets. The extensive range of brackets that NewStar offers for wall, desk, ceiling and floor lends itself perfectly to generate additional sales when you sell hardware.



MARKETS

Newstar products are perfect for use in office environments, retail, education, government, healthcare, businesses, hospitality and home use. Whether you are a distributor or reseller working in AV, IT, consumer electronics, office, installation, security or point of sales; NewStar has the best range mounting solutions for your industry.



SERVICE

NewStar attaches great value to a good (sales) support from resellers and distribution partners and the organization itself. All NewStar products are of high quality and come with a 5 year warranty.








WHERE TO BUY NEWSTAR?


NewStar products are available through an extensive network of resellers and distributors. Check the "where to buy" section on our website for a NewStar partner near you.





 Welcome to the NewStar Catalogue 2018/2019. NewStar, established in 1996, is a leading brand in mounting solutions for TVs, monitors, projectors, PCs, laptops and tablets. Let us upgrade your AV & IT experience!


 Welkom bij de NewStar Catalogus 2018/2019. NewStar is sinds 1996 een toonaangevend merk in ophangsystemen voor televisies, monitoren, beamers, PC's, laptops en tablets. Laat ons uw AV & IT beleving meer glans geven!


 Willkommen im NewStar Katalog 2018/2019. NewStar, gegründet 1996, ist ein führender Hersteller von Halterungslösungen für Fernseher, Monitore, Projektoren, Desktops, Laptops und Tablets. Lassen Sie uns Ihr AV & IT Erlebnis steigern!


 Bienvenue sur le catalogue NewStar 2018/2019. NewStar, créé en 1996, est une marque leader en solution de supports pour les téléviseurs, les moniteurs, les projecteurs, les PC, les ordinateurs portables et les tablettes. Permettez-nous de vous aider à améliorer votre expérience en AV & IT!

 Benvenuti nel catalogo NewStar 2018/2019. NewStar, fondata nel 1996, è un marchio leader in soluzioni e accessori per l'installazione di televisori, monitor, proiettori, PC, laptop e tablet. NewStar aggiunge un'emozione in più alle vostre esperienze AV & IT!


 Bienvenido al nuevo Catálogo para 2018/2019 de NewStar. NewStar, se estableció en 1996, es una de las empresas líderes del mercado de Soportes con soluciones para Televisión, Monitores, Projectores, Ordenadores portátiles y tabletas. Déjenos mejorar su experiencia AV & IT!


 Bemvindo ao novo Catálogo para 2018/2019 da NewStar. A NewStar, estabelecida desde 1996, é uma das empresas líderes do Mercado de Suportes com soluções para Televisão, Monitores, Projectores, Portáteis e Tablets. Deixe-nos melhorar a sua experiência AV & IT.

 Tervetuloa tutustumaan uuteen NewStar katalogiin 2018/2019. NewStar on perustettu vuonna 1996 ja olemme johtava telinevalmistaja televisiaille, monitoreille, projektoreille, PC'ille, kannettaville sekä tableteille. Anna meidän päivittää sinun AV & IT kokemuksesi!

 Witamy w katalogu NewStar 2018/2019. NewStar to firma założona w 1996 roku. Jest jedną z wiodących marek w produkcji i sprzedaży urządzeń do telewizorów, monitorów, projektorów, komputerów stacjonarnych, laptopów i tableatów. Rozwijaj swoje doświadczenie z AV & IT!

 Välkommen till NewStars katalog 2018/2019. NewStar, grundat 1996, är ett ledande märke inom beslaglösningar för TV, skärmar, projektorer, PC, laptops och tablets. Låt oss uppdatera din AV & IT upplevelse!

 Velkommen til NewStar's nye 2018/2019 katalog. NewStar blev etableret i 1996, og er i dag et førende mærke inden for monteringsløsninger til TV, monitører, projektorer, PC'er, notebooks og tablets. Lad os opgradere din AV & IT oplevelse!

 Velkommen til NewStar katalog 2018/2019. NewStar etablert 1996, en ledende merkevare innenfor monteringsløsninger for TV, Skjermner, Projektorer, PC'er, bærbare PC'er og nettbrett. La oss oppgradere din AV & IT erfaring!





NM-D750SILVER
PAGE 14



NLS025
PAGE 69



NM-CPU100BLACK
PAGE 79



LOOKING FOR A FLAT SCREEN MOUNT?



WWW.SCREENFITTER.EU

Please use the NewStar Screenfitter configurator to find the matching mount for your television, large format display or monitor. Simply select the brand/type of your flat screen and the type of mount you are looking for and press the "SEARCH" button. **The results will now appear!**



NEWSTAR ONLINE

Have a look at the wide variety of NewStar mounting solutions in this catalogue or check the complete NewStar range at www.newstar.eu. For our latest products, please visit www.newstar.eu/newproducts/

KEY TO SYMBOLS USED



◀ SCREEN SIZE



◀ MAX. WEIGHT



◀ VESA



◀ SWIVEL



◀ TILT



◀ ROTATE



◀ HEIGHT



◀ WIDTH



◀ DEPTH



◀ DISTANCE



◀ MOUNTING



◀ EAN BARCODE

001

CEILING MOUNTS

- Ceiling mounts
- Ceiling mount accessories
- Ceiling-to-floor mount

011

DESK MOUNTS

- Cubical hanger
- Desk mounts with spring
- Regular desk mounts
- Monitor riser
- Desk mount accessories

041

FLOOR STANDS

- Motorised floor stands
- Manual floor stands
- Smart Kapp mounts

055

MEDICAL MOUNTS

- Medical ceiling mounts
- Medical wall mounts
- Medical workstations

061

MOBILE & SIT-STAND WORKSTATIONS

- Mobile workstation
- Sit-stand workstations

065

NOTEBOOK & TABLET MOUNTS

- Notebook mounts
- Tablet mounts
- Notebook risers

073

PC & THIN CLIENT MOUNTS

- PC mounts
- Media player mounts
- Thin Client mounts

085

PROJECTOR MOUNTS

- Ceiling projector mounts
- Wall projector mounts

093

SPEAKER MOUNTS

- Soundbars
- Speaker mounts

095

WALL MOUNTS

- Fixed wall mounts
- Tilt wall mounts
- Tilt & swing wall mounts
- Video wall mounts
- Wall mount accessories

129

ACCESSORIES

- Adapter plates
- Cables & cable covers
- Lock

135

LINE DRAWINGS

- Technical drawings with dimensions

169

PRODUCT OVERVIEW

- Full product index



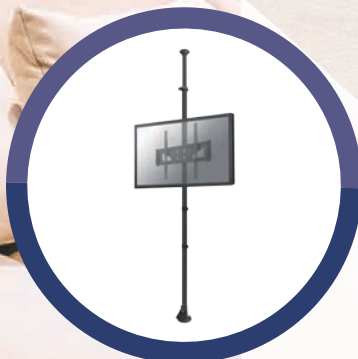
CEILING MOUNTS



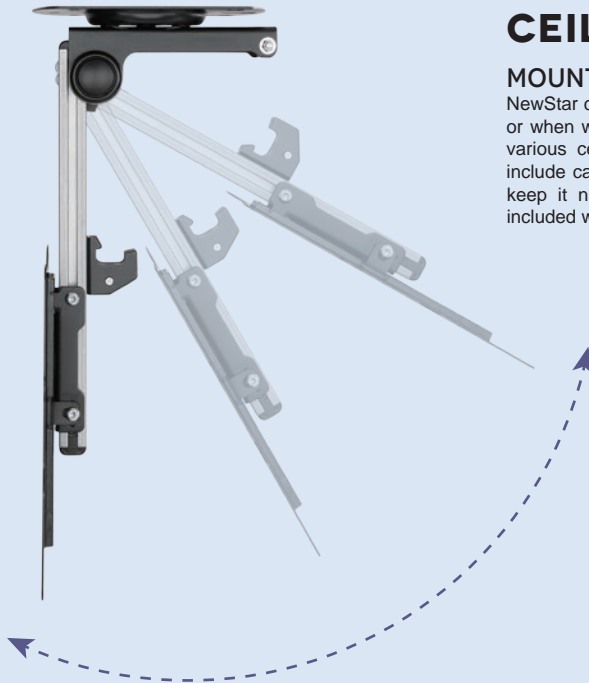
CEILING MOUNTS
PAGE 003-007



CEILING MOUNT ACCESSORIES
PAGE 008



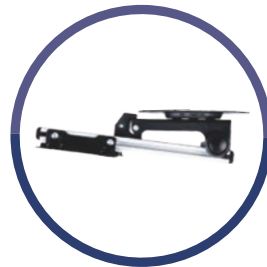
CEILING-TO-FLOOR MOUNT
PAGE 009-010



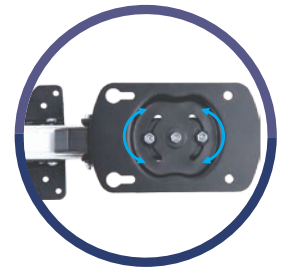
CEILING MOUNTS

MOUNTING YOUR SCREEN TO THE CEILING

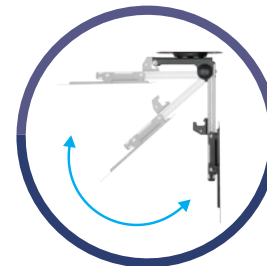
NewStar ceiling mounts are a great choice for space saving placement or when wall mounting and floor placement is not an option. We offer various ceiling mounts with tilt- and swivel features. Most of them include cable management to hide your cables within the column and keep it nice and tidy. And of course, all installation materials are included with the products.



Easy fix to the ceiling plate



Free swivel



Folding design



Flexible sliding rails

10-40"
25-102cm

90°

MIN: 75X75
MAX: 200X200

20 kg
44 lbs

90°

26.5-40 cm

EAN
8717371445690

FPMA-CO2OBLACK

CEILING MOUNTS

 10-30" 25-76cm
  12 kg 26.4 lbs
  MIN: 75X75 MAX: 100X100
  180°
  360°
  37-47 cm







 EAN
8717371445027

FPMA-C025BLACK



 EAN
8717371442354

FPMA-C025SILVER

 10-40" 25-102cm
  MIN: 75X75 MAX: 200X200
  20 kg 44 lbs
  180°
  180°
  360°
  64-104 cm



 EAN
8717371441364

FPMA-C200



 EAN
8717371444235

FPMA-C200BLACK



 EAN
8717371441852

FPMA-C200D

CEILING MOUNTS

 10-30" 25-76cm
  MIN: 75X75 MAX: 200X100
  12 kg 26.4 lbs
  180°
  180°
  360°
  79-129 cm



EAN 8717371440879

FPMA-C100



EAN 8717371442347

FPMA-C100SILVER



EAN 8717371444846

FPMA-C100WHITE

 20 kg 44 lbs
  40°
  180°
  50-85 cm



10-30" 25-76cm

MIN: 50X50 MAX: 100X100 EAN 8717371442385

FPMA-C050SILVER



10-30" 25-76cm

MIN: 50X50 MAX: 100X100 EAN 8717371442460

FPMA-C050BLACK



10-40" 25-102cm

MIN: 75X75 MAX: 200X200 EAN 8717371444952

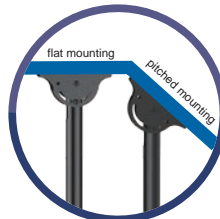
FPMA-C060BLACK



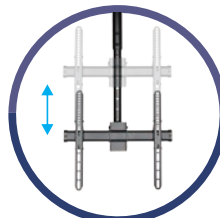
32-60" / 81-152cm
 MIN: 200X200 / MAX: 400X400
 50 kg / 110 lbs
 25°
 360°
 6°
 56-91 cm



INCLUDED
2 MOUNTING
solutions in 1 box



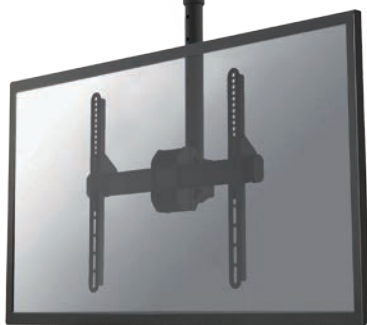
Use with flat or sloping ceiling



Telescoping height adjustment



Cable management



EAN
8717371445614



NM-C440BLACK

EAN
8717371445997

NM-C440DBLACK

CEILING MOUNTS





LINE DRAWINGS PAGE 136

 32-60"
 81-152cm
  25°



 50 kg
 110 lbs
 MIN: 200X200
 MAX: 400X400
 6°
 106~156 cm
 EAN
 8717371446369







FPMA-C340BLACK

 35 kg
 77 lbs
 MIN: 200X200
 MAX: 600X400
 60°
 64~104 cm
 EAN
 8717371444242

FPMA-C400BLACK

 35 kg
 77 lbs
 MIN: 200X200
 MAX: 600X400
 60°
 64~104 cm
 EAN
 8717371442712

FPMA-C400SILVER

 37-75"
 94-191cm
  MIN: 200X200
 MAX: 800X450
  50 kg
 110 lbs
 (each screen)
  25°
  60°
  67-107 cm



 EAN
 8717371441067

PLASMA-C100

 EAN
 8717371442729

PLASMA-C100BLACK

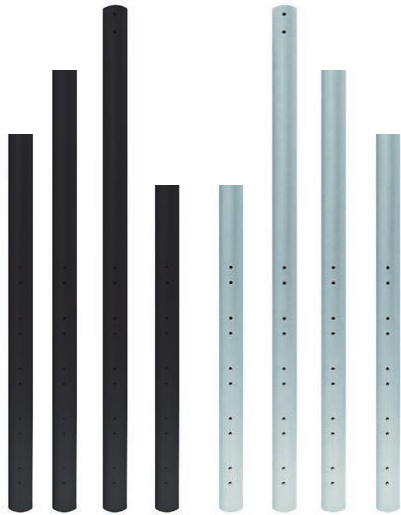
 EAN
 8717371441739

PLASMA-C100D

CEILING MOUNT ACCESSORIES

ADDITIONAL OPTIONS TO TAILOR TO INDIVIDUAL NEEDS

Extension poles of various lengths are available to increase the desired height if required, especially where there are high ceilings. Equipped with cable management, they help you hide the cables in the column to keep it nice and tidy. Are you looking for the perfect finish after installation of your flat screen ceiling mount? Our ceiling covers hide irregularities at the ceiling, which can arise during installations.



COMPATIBLE WITH FLAT SCREEN CEILING MOUNTS:

- FPMA-C200
- FPMA-C200BLACK
- FPMA-C400SILVER
- FPMA-C400BLACK
- PLASMA-C100
- PLASMA-C100BLACK
- PLASMA-C100D



HEIGHT
100 CM

FPMA-CP100

EAN 8717371441920

FPMA-CP100BLACK

EAN 8717371444150

HEIGHT
150 CM

FPMA-CP150

EAN 8717371441937

FPMA-CP150BLACK

EAN 8717371444259

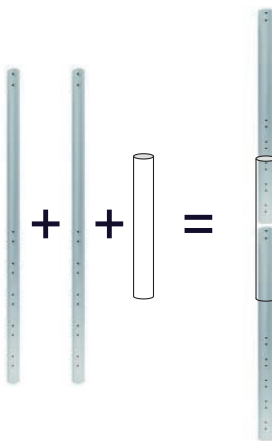
HEIGHT
200 CM

FPMA-CP200

EAN 8717371441944

FPMA-CP200BLACK

EAN 8717371444266



FPMA-CPCONNECTBLACK

EAN 8717371446574

FPMA-CPCONNECTSILVER

EAN 8717371444693



EAN 8717371443788

FPMA-CRB5



EAN 8717371443771

FPMA-CRS5



EAN 8717371443801

FPMA-CRW5



EAN 8717371444778

FPMA-CRB5HM



EAN 8717371444785

FPMA-CRW5HM

COMPATIBLE WITH

- FPMA-C100
- FPMA-C100WHITE
- FPMA-C100SILVER



EAN 8717371443795

FPMA-CRB6



EAN 8717371442118

FPMA-CRS6



EAN 8717371442125

FPMA-CRW6

COMPATIBLE WITH

- FPMA-C200
- FPMA-C200BLACK
- FPMA-C400SILVER
- FPMA-C400BLACK
- PLASMA-C100
- PLASMA-C100BLACK
- PLASMA-C100D









CEILING-TO-FLOOR MOUNT

TO MAKE USE OF THE ENTIRE HEIGHT OF THE ROOM

This product allows you to put your TV virtually anywhere you like without using walls. The only requirement to place this product is a firm floor and a solid ceiling. Built with an attractive powder coated finish, the mount provides a modern look. All installation material is included with the product.



 37-65" 94-165cm	 MIN: 200X200 MAX: 600X400
 25 kg 55 lbs	 194-351 cm
 360°	 EAN 8717371446116

FPMA-CF250BLACK



Additional VESA bracket

 37-65" 94-165cm	 MIN: 200X200 MAX: 600X400
 360°	 EAN 8717371446475

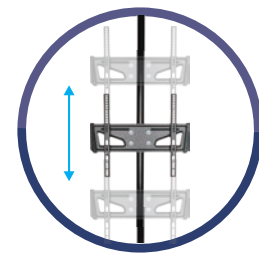
FPMA-CF250XTBLACK



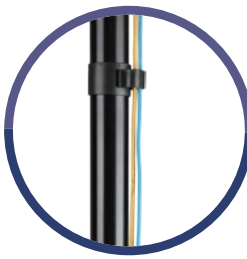
Tool-less quick assembly



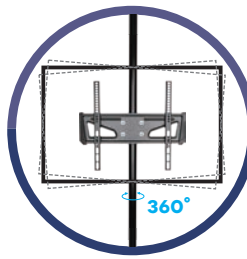
Foam floor and ceiling bases



Vertical height adjustment



Sleek cable management



33° Built-in level adjustment
360° Swivel ability



DESK MOUNTS



DESK MOUNTS WITH SPRING
PAGE 013-019



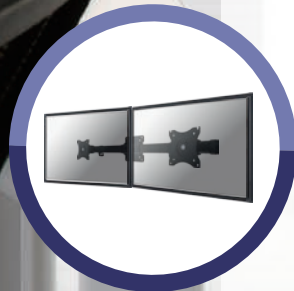
REGULAR DESK MOUNTS
PAGE 020-033



CUBICAL HANGER
PAGE 034



MONITOR RISERS
PAGE 035-036



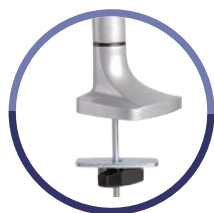
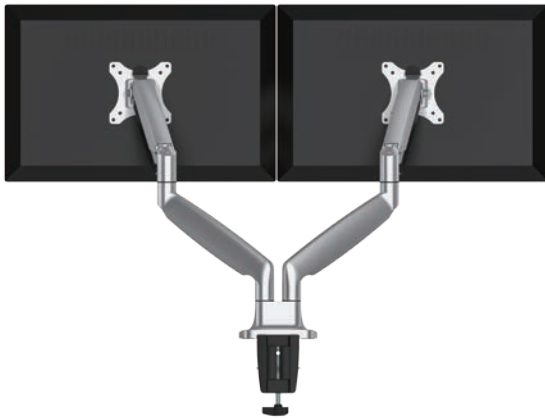
DESK MOUNT ACCESSORIES
PAGE 037-040



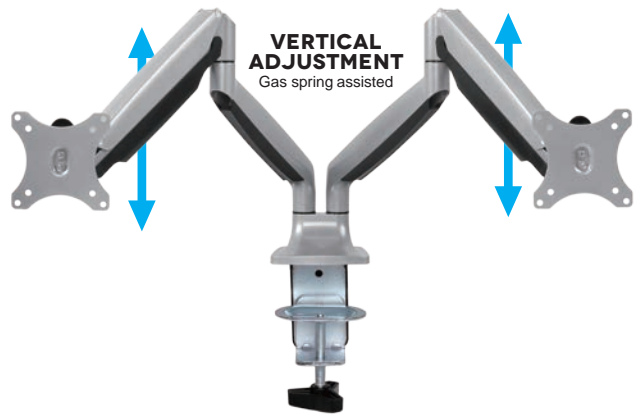
DESK MOUNTS WITH SPRING

ACCURATE HEIGHT ADJUSTMENT IN JUST SECONDS

By using an ergonomic flat screen mount you reduce neck and back complaints. Ideal for use in offices, on counters, in a reception area or at home. NewStar desk mounts with spring are equipped with a mechanical spring or a gas spring arm. With both spring types, they allow you to adjust the mount in order to fully maximise the benefits of the flat screen.



Grommet and clamp included



Cable management

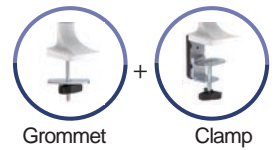


Built-in spring tension gauge



INCLUDED

2 Mounting solutions in 1 box



10-32" 25-81cm	MIN: 75X75 MAX: 100X100	1-9 kg 2.2-19.8 lbs (each screen)	180°	180°	180°	17-51 cm	GROMMET CLAMP	0-61 cm
-------------------	----------------------------	---	------	------	------	----------	---------------	---------

EAN 8717371446017

NM-D750BLACK

EAN 8717371445843

NM-D750WHITE

EAN 8717371445621

NM-D750SILVER

EAN 8717371446000

NM-D750DBLACK

EAN 8717371445850

NM-D750DWHITE

EAN 8717371445638

NM-D750DSILVER

DESK MOUNTS

Desk mounts with spring



INCLUDED

2 Mounting solutions in 1 box



Grommet



Clamp



Built-in spring tension gauge



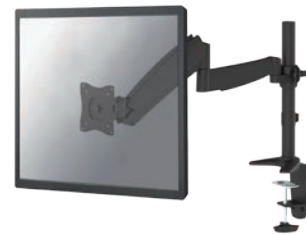
Cable management

9 kg 19.8 lbs (each screen)	MIN: 75X75 MAX: 100X100	GROMMET CLAMP	130°	360°	0-61 cm	0-64 cm
--	--	----------------------	-------------	-------------	----------------	----------------



10-30" 25-76cm	360°	EAN 8717371440893
--------------------------	-------------	-----------------------------

FPMA-D950



10-30" 25-76cm	360°	EAN 8717371444563
--------------------------	-------------	-----------------------------

FPMA-D950BLACK



10-27" 25-69cm	180°	EAN 8717371443894
--------------------------	-------------	-----------------------------

FPMA-D950D



10-27" 25-69cm	180°	EAN 8717371444990
--------------------------	-------------	-----------------------------

FPMA-D950DBLACK



MIN: 75X75
MAX: 100X100
 GROMMET CLAMP
 360°



10-30"
25-76cm
 6 kg
13 lbs
(each screen)
 180°
 8-41 cm
 360°
 0-51 cm
 EAN
8717371445409

NM-D500BLACK



10-27"
25-69cm
 6 kg
13 lbs
(each screen)
 180°
 8-41 cm
 180°
 0-51 cm
 EAN
8717371445416

NM-D500DBLACK

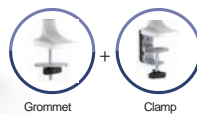


10-24"
25-61 cm
 8 kg
18 lbs
(each screen)
 60°
 0-48 cm
 180°
 3-31 cm
 EAN
8717371446383

FPMA-D500DHBLACK



INCLUDED
2 Mounting solutions in 1 box



10-27"
25-69cm
 90°
 0-54 cm
 MIN: 75X75
MAX: 100X100
 180°
 GROMMET CLAMP
 5 kg
11 lbs
(each screen)
 0-61cm
 EAN
8717371446581

NM-D725DXSILVER



INCLUDED
2 Mounting solutions in 1 box



10-27"
25-69cm
 90°
 0-54 cm
 MIN: 75X75
MAX: 100X100
 180°
 GROMMET CLAMP
 4.5-10 kg
22 lbs
(each screen)
 0-61cm
 EAN
8717371446123

NM-D750DXSILVER

10-30" 25-76 cm
 MIN: 75X75 MAX: 100X100
 10 kg 22 lbs
 180°
 270°
 270°
 0-45 cm



CLAMP

EAN 8717371440084

FPMA-D100



CLAMP

EAN 8717371440091

FPMA-D100BLACK



GROMMET

EAN 8717371440107

FPMA-D200



GROMMET

EAN 8717371440114

FPMA-D200BLACK

10-30" 25-76 cm
 MIN: 75X75 MAX: 100X100
 10 kg 22 lbs
 CLAMP
 180°
 180°



270°

0-40 cm EAN 8717371440145

FPMA-D400



360°

0-31 cm EAN 8717371440008

FPMA-D600



360°

0-31 cm EAN 8717371440015

FPMA-D600BLACK

MIN: 75X75
MAX: 100X100
 60°
 360°
 180°
 0~42 cm



10-30"
25-76 cm
 CLAMP
 9 kg
19.8 lbs
 EAN
8717371440886

FPMA-D940



10-30"
25-76 cm
 GROMMET
 9 kg
19.8 lbs
 EAN
8717371443818

FPMA-D940G



10-37"
25-76 cm
 CLAMP
 15 kg
33 lbs
 EAN
8717371442149

FPMA-D940HC

10-24"
25-61 cm
 MIN: 75X75
MAX: 100X100
 15 kg
33 lbs
 60°
 180°
 0~42 cm



360°
 GROMMET
 EAN
8717371442620

FPMA-D940DG



360°
 CLAMP
 EAN
8717371442156

FPMA-D940D



120°
 STAND
 EAN
8717371442163

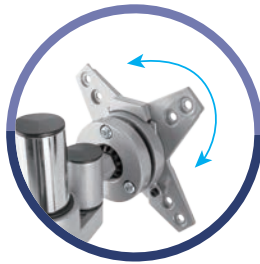
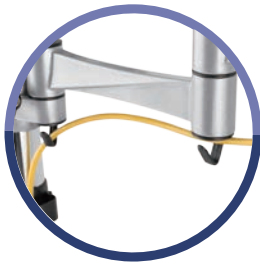
FPMA-D940DD



REGULAR DESK MOUNTS

A WIDE RANGE OF FEATURES

By using an ergonomic flat screen mount you prevent neck and back complaints. Ideal for use in offices, on counters, in a reception area or at home. Our NewStar mounts come with various features; from static to height adjustable, to fully equipped with the NewStar's versatile tilt (180°) and rotate (360°) technology. This technology allows our mounts to change to any viewing angle to fully benefit from the capabilities of the flat screen.



INCLUDED

2 Mounting solutions in 1 box



Grommet

Clamp

 MIN: 75X75 MAX: 100X100	 9 kg 19.8 lbs (each screen)	 15°	 180°	 360°	 GROMMET CLAMP	 0-40 cm	 4-43 cm
--	---	---	--	--	--	---	---



 10-30"
25-76cm

 EAN
8717371444402

FPMA-D1330BLACK 

 10-30"
25-76cm

 EAN
8717371443689

FPMA-D1330SILVER 

 10-30"
25-76cm

 EAN
8717371444464

FPMA-D1330WHITE 



10-27"
25-69cm

EAN
8717371444457

FPMA-D1330DBLACK



10-27"
25-69cm

EAN
8717371443696

FPMA-D1330DSILVER



10-27"
25-69cm

EAN
8717371444471

FPMA-D1330DWHITE



MIN: 75X75
MAX: 100X100



90°



180°



360°



GROMMET
CLAMP



0-44 cm



4-46 cm



8 kg
17.6 lbs
(each screen)

10-32"
25-81cm

EAN
8717371446390

FPMA-D550BLACK



8 kg
17.6 lbs
(each screen)

10-32"
25-81cm

EAN
8717371446284

FPMA-D550BLACK



7 kg
15.6 lbs
(each screen)

10-27"
25-69cm

EAN
8717371446406

FPMA-D550D3BLACK



MIN: 75X75
MAX: 100X100



7 kg
15.4 lbs
(each screen)



40°



180°



360°



GROMMET
CLAMP



29-45 cm



4-43 cm



10-30"
25-76cm

EAN
8717371446376

FPMA-D010BLACK



10-30"
25-76cm

EAN
8717371446277

FPMA-D010BLACK

INCLUDED

2 Mounting
solutions in 1 box



Grommet

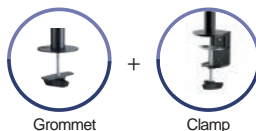


Clamp



INCLUDED

2 Mounting solutions in 1 box



Grommet

Clamp



10-27"
25-69 cm

5-63 cm

EAN
8717371445836

NM-D135D3BLACK

MIN: 75X75
MAX: 100X100
 8 kg
17.6 lbs
(each screen)
 90°
 180°
 360°
 GROMMET CLAMP
 0-40 cm
 4-43 cm



10-30"
25-76 cm

NM-D135BLACK



10-30"
25-76 cm

NM-D135SILVER



10-30"
25-76 cm

NM-D135WHITE



10-27"
25-69 cm

NM-D135DBLACK



10-27"
25-69 cm

NM-D135DSILVER



10-27"
25-69 cm

NM-D135DWHITE



3 MOUNTING SOLUTIONS

in 1 box



Stand




Clamp




Grommet

 MIN: 75X75
MAX: 100X100
  90°
  360°
  GROMMET
CLAMP
STAND
  8 cm



 10-30"
25-76 cm

 max 10 kg
22 lbs

 0-46 cm


 180°

 EAN
8717371445379

NM-D335BLACK

 10-27"
25-69 cm

 max 16 kg
35 lbs

 0-45 cm


 30°

 EAN
8717371445386

NM-D335DBLACK

 10-27"
25-69 cm

 max 32 kg
70 lbs

 0-81 cm

 30°

 EAN
8717371445393

NM-D335D4BLACK



10-30"
25-76 cm
 MIN: 75X75
MAX: 100X100
 6 kg
13.2 lbs
 70°
 60°
 360°
 STAND
 36-54 cm
 6 cm



EAN
8717371446215

FPMA-D890BLACK



EAN
8717371446048

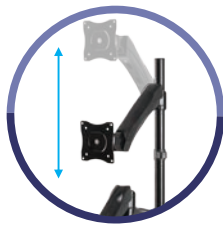
FPMA-D890WHITE



DESK MOUNTS

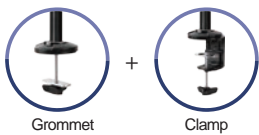
Regular desk mounts

LINE DRAWINGS PAGE 141



INCLUDED

2 Mounting solutions in 1 box



Grommet

Clamp

10-27"
25-69 cm

360°

9 kg
19.8 lbs

180°

180°


MIN: 75X75
MAX: 100X100

EAN
8717371445508

FPMA-D500KEYB

Visit www.newstar.eu for more information

024

 10-30"
25-76 cm
  MIN: 75X75
MAX: 100X100
  360°
  GROMMET



 12 kg
26.4 lbs
  5 cm
  37-47 cm
  180°
  EAN
8717371444938

FPMA-DO25BLACK



 12 kg
26.4 lbs
  5 cm
  37-47 cm
  180°
  EAN
8717371442361

FPMA-DO25SILVER



 20 kg
44 lbs
  14 cm
  180°
  17-50 cm
  20°
  EAN
8717371442798

FPMA-DO50DBLACK

 MIN: 75X75
MAX: 100X100
  180°
  360°
  180°



 10-30"
25-76cm
  8 cm
  10 kg
22 lbs
  STAND
  15-45 cm
  EAN
87173714445126


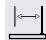




FPMA-D700





 10-27"
25-69cm
  13 cm
  6 kg
13.2 lbs
(each screen)
  STAND
  0-70 cm
  EAN
8717371444181

FPMA-D700DDV


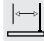






 10-27"
25-69cm
  13 cm
  6 kg
13.2 lbs
(each screen)
  CLAMP
  0-70 cm
  EAN
8717371444174

FPMA-D700DV


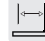



 **8 kg**
17.6 lbs
(each screen)
  **MIN: 75X75**
MAX: 100X100
 **360°**
 **STAND GROMMET**



 **19-30"**
48-76cm
  **15 cm**
 **180°**
 **180°**
 **34-44 cm**
 **EAN**
8717371442507







FPMA-D700DD



 **10-27"**
25-69cm
  **7 cm**
 **34-45 cm**
 **45°**
 **EAN**
8717371444129

FPMA-D700DD3


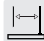






 **19-30"**
48-76cm
  **15 cm**
 **180°**
 **180°**
 **24-70 cm**
 **EAN**
8717371442514

FPMA-D700DD4

 **8 kg**
17.6 lbs
(each screen)
  **MIN: 75X75**
MAX: 100X100
 **360°**
 **CLAMP**



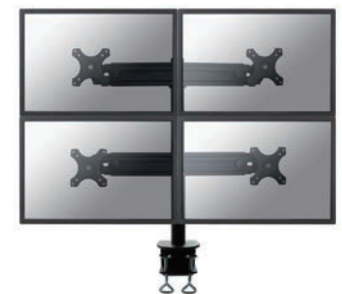
 **19-30"**
48-76cm
  **15 cm**
 **180°**
 **180°**
 **32-42 cm**
 **EAN**
8717371442484


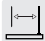




FPMA-D700D



 **10-27"**
25-69cm
  **7 cm**
 **32-42 cm**
 **45°**
 **EAN**
8717371443641

FPMA-D700D3







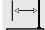



 **19-30"**
48-76cm
  **15 cm**
 **180°**
 **180°**
 **22-70 cm**
 **EAN**
8717371442491

FPMA-D700D4








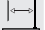

 MIN: 75X75
 MAX: 100X100
  360°



 19-27"
 48-69cm
 50 kg
 110 lbs
 22-70 cm
 180°
 180°
 CLAMP
 7 cm
 EAN 8717371445560








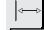

FPMA-D700D6



 10-27"
 25-69cm
 10 kg
 22 lbs
 10-26 cm
 75°
 STAND
 20 cm
 EAN 8717371443474

FPMA-D825BLACK



 10-27"
 25-69cm
 10 kg
 22 lbs (each screen)
 0-45 cm
 30°
 90°
 GROMMET CLAMP
 8 cm
 EAN 8717371446291

FPMA-DCB100DBLACK



 10-30"
 25-76 cm
 MIN: 75X75
 MAX: 100X100
 180°
 270°
 270°
 CLAMP



 12 kg
 26.4 lbs
 19 cm
 0-40 cm
 EAN 8717371440183

FPMA-D910



 10 kg
 22 lbs
 19-44 cm
 0-45 cm
 EAN 8717371440190






FPMA-D920



 10 kg
 22 lbs
 19-62 cm
 0-50 cm
 EAN 8717371440206

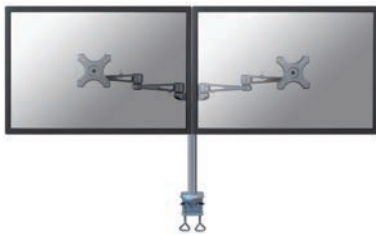
FPMA-D930



 15 kg
 33 lbs
 19-62 cm
 0-50 cm
 EAN 8717371440718

FPMA-D930D

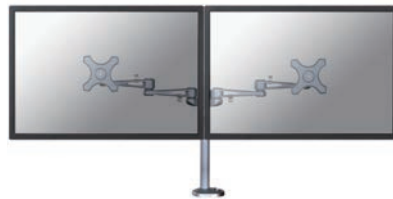
 **6 kg**
13.2 lbs
(each screen)
  **MIN: 75X75**
MAX: 100X100
 180°
  300°
  360°
  12-50 cm



 **10-27"**
25-69 cm
  **CLAMP**

 **0-50 cm**
 **EAN**
8717371441715

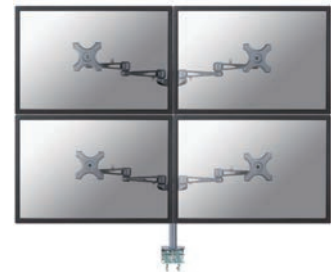
FPMA-D935D



 **10-27"**
25-69 cm
  **GROMMET**

 **0-50 cm**
 **EAN**
8717371444303







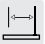
FPMA-D935DG



 **10-27"**
25-69cm
  **CLAMP**

 **0-70 cm**
 **EAN**
8717371441722

FPMA-D935D4

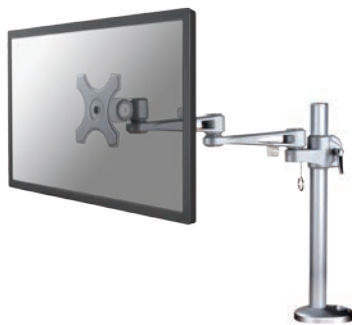
 **10-30"**
25-76 cm
  **MIN: 75X75**
MAX: 100X100
 **12 kg**
26.4 lbs
  180°
  180°
  360°
  12-50 cm



 **CLAMP**

 **0-50 cm**
 **EAN**
8717371441340

FPMA-D935



 **GROMMET**

 **0-50 cm**
 **EAN**
8717371443139







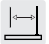
FPMA-D935G



 **CLAMP**

 **0-80 cm**
 **EAN**
8717371444495

FPMA-D935POLE70




 10-30" / 25-76 cm
  MIN: 75X75 / MAX: 100X100
  180°
  180°
  360°
  0-45 cm
  10-43 cm



 CLAMP
  10 kg / 22 lbs
  EAN 8717371440909

FPMA-D960



 GROMMET
  12 kg / 26.4 lbs
  EAN 8717371444372

FPMA-D960G

 MIN: 75X75 / MAX: 100X100
  6 kg / 13.2 lbs (each screen)
  180°
  180°
  360°
  0-45 cm
  10-43 cm



 10-27" / 25-69 cm
  CLAMP
  EAN 8717371442224

FPMA-D960D



 10-27" / 25-69 cm
  GROMMET
  EAN 8717371444440

FPMA-D960DG



 10-21" / 25-53 cm
  CLAMP
  EAN 8717371442705

FPMA-D960D3

10-30" 25-76cm
 MIN: 75X75 MAX: 100X100
 180°
 180°
 0-40 cm
 CLAMP



max 12 kg 26.4 lbs
 180°
 15 cm
 EAN 8717371441753

FPMA-D1010



max 10 kg 22 lbs
 260°
 16-36 cm
 EAN 8717371441760

FPMA-D1020



max 10 kg 22 lbs
 300°
 16-55 cm
 EAN 8717371441777

FPMA-D1030



10-24" 25-61cm
 MIN: 75X75 MAX: 100X100
 max 15 kg 33 lbs
 180°
 0-40 cm
 300°
 CLAMP
 16-55 cm
 180°
 EAN 8717371441784

FPMA-D1030D



10-30" 25-76cm
 MIN: 75X75 MAX: 100X100
 max 12 kg 26.4 lbs
 180°
 0-45 cm
 180°
 CLAMP GROMMET
 9 cm
 360°
 EAN 8717371442835

FPMA-D965

INCLUDED

2 Mounting solutions in 1 box





10-27" 25-68 cm
 MIN: 75X75 MAX: 100X100
 10 kg 22 lbs
 30°
 45°
 360°
 STAND
 21-37 cm
 6 cm



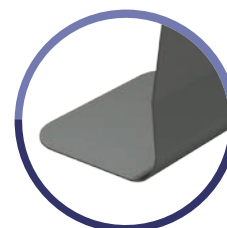
EAN 8717371442811

FPMA-D850BLACK



EAN 8717371440176

FPMA-D800



DESK MOUNTS

Regular desk mounts



32-60"
81-152 cm

40 kg
88 lbs

MIN: 200X200
MAX: 600X400

53-71 cm

19 cm

STAND

EAN
8717371445515

FPMA-D1250BLACK



37-70"
74-178 cm

35 kg
77 lbs

MIN: 100X100
MAX: 600X400

59-73 cm

42 cm

STAND

EAN
8717371445980

FPMA-D1240BLACK



10-27"
25-69cm

3-5 kg
6.6-11 lbs

MIN: 75X75
MAX: 100X100

23-36 cm

90°

25°

90°

35 cm

STAND

EAN
8717371443870

FPMA-D875BLACK



- 32-60"
81-152 cm
- 46-60 cm
- 19 cm
- 40 kg
88 lbs
- 90°
- GROMMET
- MIN: 200X200
MAX: 600X400
- 360°
- EAN
8717371442781

FPMA-D1200BLACK



Suited for monitor, keyboard and mouse

- 10-24"
25-61cm
- 10 kg
22 lbs
- 180°
- 16-36 cm
- MIN: 75X75
MAX: 100X100
- 260°
- CLAMP
- 0-40 cm
- 180°
- EAN
8717371444730

FPMA-D1020KEYB

GROMMET POLE FOR MODELS:

- FPMA-D935
- FPMA-D935D



EAN
8717371442880

FPMA-D935GROMMET

GROMMET POLE FOR MODELS:

- FPMA-D960
- FPMA-D960D



EAN
8717371444037

FPMA-D960GROMMET

EXTENSION POLES FOR MODELS:

- FPMA-D935
- FPMA-D935D



70 cm

EAN
8717371445652

FPMA-D935POLE

EXTENSION POLES FOR MODELS:

- FPMA-D935
- FPMA-D935D



45 cm

EAN
8717371445652

FPMA-D935POLE40



CUBICAL HANGER

HANG IN THERE!

With this cubical mount, you can hang a flat screen monitor over a table divider or partition wall. You can adjust the screen to either landscape or portrait mode. Another feature on this model is the quick release function, which allows you to attach and detach the screen very quickly. Of course all installation material is included with the product.



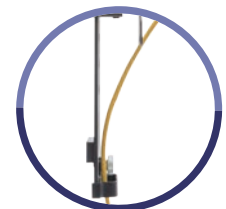
Easy adjustment



Accurate height adjustment



Accommodates most cubicle walls



Cable management

10-30"
25-76cm

8 kg
17.6 lbs

12-30 cm

6 cm

MIN: 75X75
MAX: 100X100

360°

EAN
8717371446031

FPMA-CH100BLACK



MONITOR RISERS

TO GET THE BEST OUT OF YOUR OFFICE AREA
Our monitor risers allow you to change the height of your screen. By using an ergonomic mount neck- and back complaints can be avoided. Ideal for use in offices, on counters, in a reception area or at home. Installation material is included.



Store tablet or phone



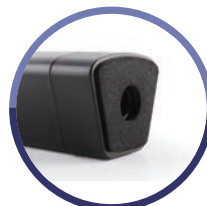
Store office supplies



Cable management



Height adjustment



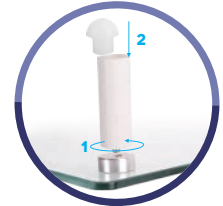
Foam protection

-  **10-32"**
25-81cm
-  **4.6-16.8 cm**
-  **33 cm**
-  **10 kg**
22 lbs
-  **50 cm**
-  **EAN**
8717371445713

NSMONITOR20 



Anti-slip silicone pads



Easy installation

25 kg 55 lbs	56 cm	EAN 8717371445478
8 cm	21 cm	

NSMONITOR10



25 kg 55 lbs	32 cm	EAN 8717371441135
7-13 cm	26 cm	

NSMONITOR40



25 kg 55 lbs	26 cm	EAN 8717371441142
12.5 cm	25 cm	

NSMONITOR50

DESK MOUNT ACCESSORIES AND MORE


TO GET THE BEST OUT OF YOUR DESK MOUNT


A number of accessories are available to further enhance your mount, including increasing the height, using toolbars for vertical movement or perhaps add a keyboard and mouse tray, to give but a few examples.



 **3 kg**
6.6 lbs

 **33 cm**

 **21 cm**

 **MIN: 75X75**
MAX: 100X100

 **65 cm**

 **EAN**
8717371445966

KEYB-V200BLACK



10 kg
22 lbs

MIN: 75X75
MAX: 75X75

23 cm

75 cm

EAN 8717371440824

KEYB-V100

10 kg
22 lbs

MIN: 75X75
MAX: 75X75

28.5 cm

55.5 cm

EAN 8717371446024

KEYB-V550LAPTOP

10 kg
22 lbs

MIN: 75X75
MAX: 75X75

23 cm

50 cm

EAN 8717371442392

KEYB-V050



GROMMET POLE FOR MODELS:

- FPMA-D1010
- FPMA-D920
- FPMA-D1030
- FPMA-D930D
- FPMA-DTB100
- FPMA-D1020
- FPMA-D1030D
- FPMA-DTB200

GROMMET POLE FOR MODELS:

- FPMA-D940
- FPMA-D940HC

EXTENSION POLES FOR MODELS:

- FPMA-D910
- FPMA-D920
- FPMA-D930
- FPMA-D930D
- FPMA-D930D3
- FPMA-D1010
- FPMA-D1020
- FPMA-D1030
- FPMA-D1030D

EAN 8717371442170

FPMA-D9GROMMET

EAN 8717371443856

FPMA-D940GROMMET

100 cm

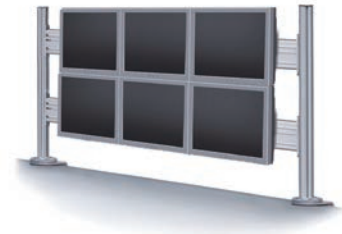
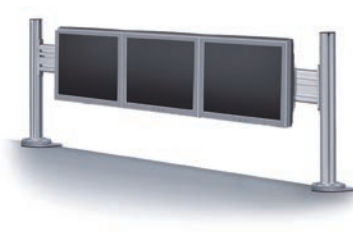
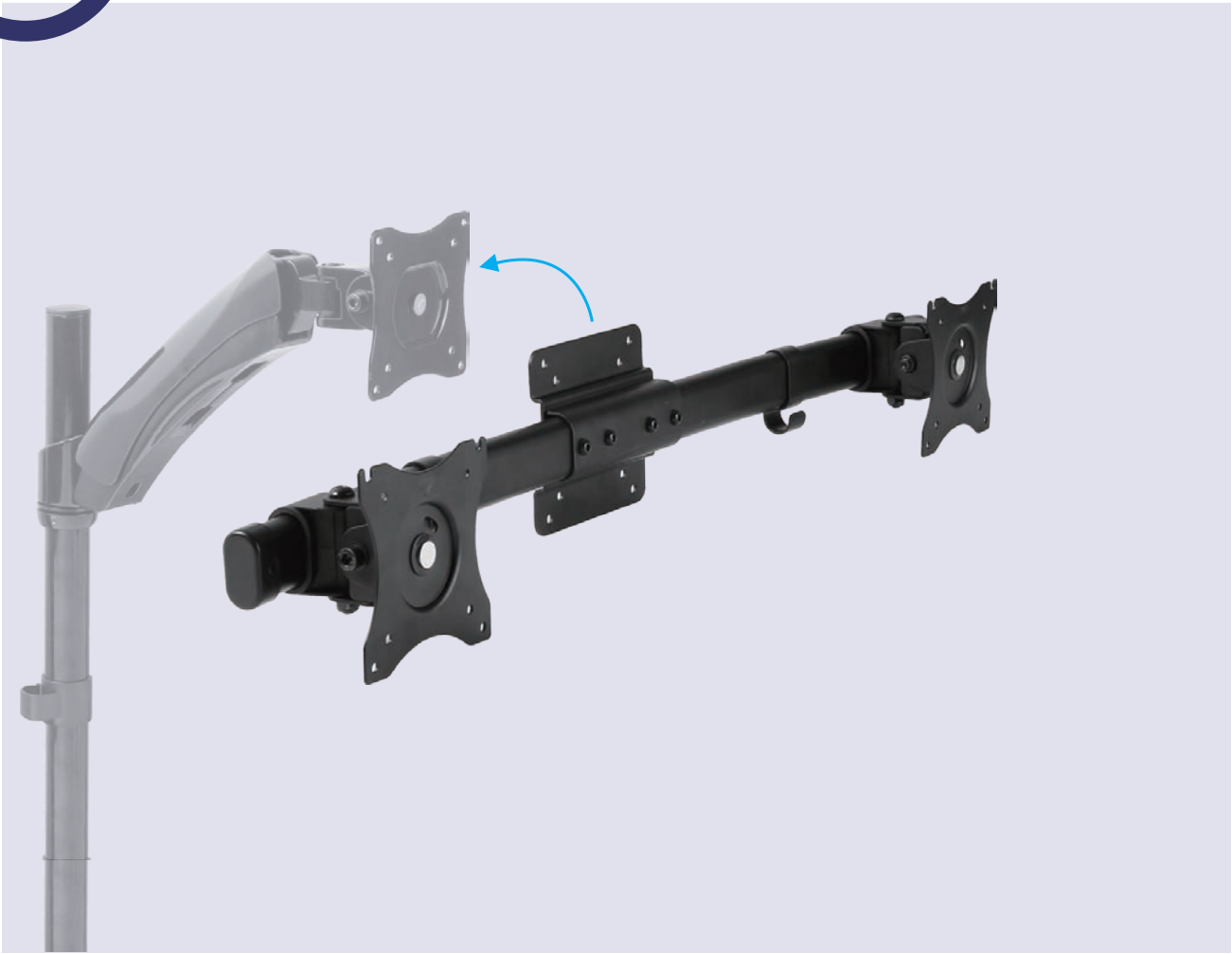
EAN 8717371441999

FPMA-D9POLE

40 cm

EAN 8717371441357

KEYB-V100RACK



	10-27" 25-69cm		
	18 kg 39.6 lbs		30°
	MIN: 75X75 MAX: 100X100		360°
	80.5cm		EAN 8717371445485

FPMA-CB100BLACK







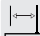

	10-24" 25-61cm		0-42 cm
	30 kg 66 lbs		8 cm
	MIN: 75X75 MAX: 100X100		EAN 8717371442262

FPMA-DTB100

	10-24" 25-61cm		0-70 cm
	60 kg 132 lbs		8 cm
	MIN: 75X75 MAX: 100X100		EAN 8717371442279

FPMA-DTB200




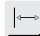

-  10-30"
25-76 cm
-  9 kg
19.8 lbs
-  MIN: 75X75
MAX: 100X100
-  180°
-  180°
-  270°
-  48 cm
-  EAN
8717371443436

FPMA-DTBW940

-  10-30"
25-76 cm
-  MIN: 75X75
MAX: 100X100
-  180°
-  270°

SUITED FOR MODELS: • FPMA-DTB100 • FPMA-DTB200 • FPMA-WTB100



-  8 kg
17.6 lbs
-  8 cm
-  EAN
8717371445195



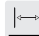

FPMA-DTBW100



-  10 kg
22 lbs
-  180°
-  12 cm
-  EAN
8717371442286

FPMA-DTBW200



-  12 kg
26.4 lbs
-  260°
-  17 cm
-  EAN
8717371442613

FPMA-DTBW910



FLOOR STANDS



MOTORISED FLOOR STANDS
PAGE 043-049



MANUAL FLOOR STANDS
PAGE 050-052



SMART KAPP MOUNTS
PAGE 053-054

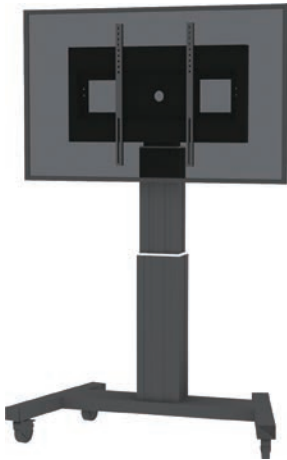
MOTORISED FLOOR STANDS


OPTIMAL POSITIONING FOR BOTH STANDING AND SEATED AUDIENCES


NewStar motorised stands are perfect to use in a class room, boardroom, presentation room or public entrance. The automatic height adjustable floor stands allow you to place a large format flat screen at the right level for each user. All of our motorised stands are suitable for screens between 42"-100" to a maximum screen weight of 150 kg. Cables can be routed to the back of the mount to keep things neat and tidy.

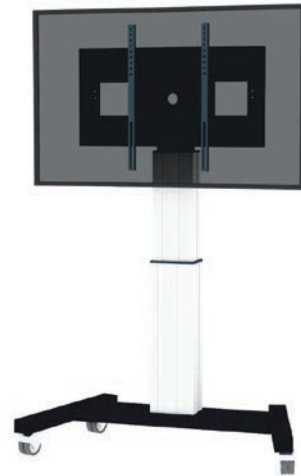


 42-100"
107-254cm  150 kg
330 lbs  MIN: 200X200
MAX: 800X600  112-162 cm  104 cm



 EAN
8717371445904

PLASMA-M250OBLACK 



 EAN
8717371445928

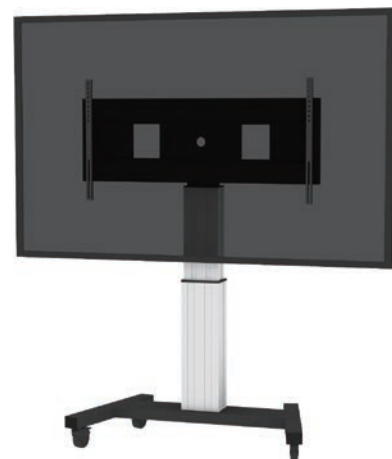
PLASMA-M250OSILVER 

 60-100"
152-254cm  150 kg
330 lbs  MIN: 300X300
MAX: 1200X600  112-162 cm  104 cm



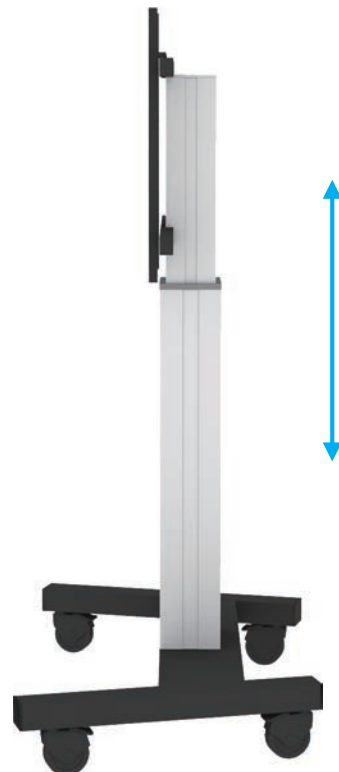
 EAN
8717371445911







PLASMA-M250OBLACKMS 



 EAN
8717371445935

PLASMA-M250OSILVERMS 

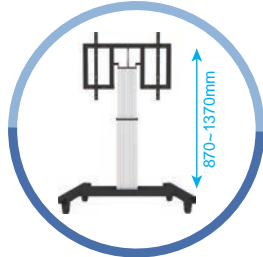


-  **42-100"**
107-254cm
-  **150 kg**
330 lbs
-  **103.5 cm**
-  **MIN: 200X200**
MAX: 800X600
-  **115-165 cm**
-  **EAN**
8717371446161

PLASMA-M2250SILVER

045

Visit www.newstar.eu for more information



42-100" 107-254 cm	MIN: 200X200 MAX: 800X600	150 kg 330 lbs	90°	87-137 cm	104 cm
-----------------------	------------------------------	-------------------	-----	-----------	--------

WITH TILT FUNCTION SUITED FOR TABLE-TOP USE



EAN
8717371445973

PLASMA-M2500TBLACK

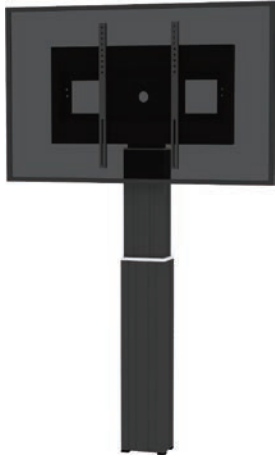





EAN
8717371445935

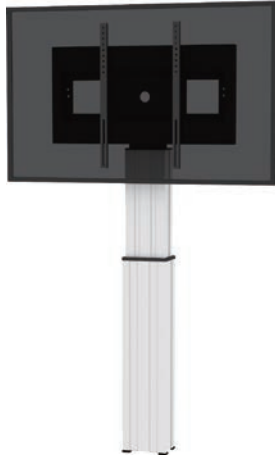
PLASMA-M2500TSILVER






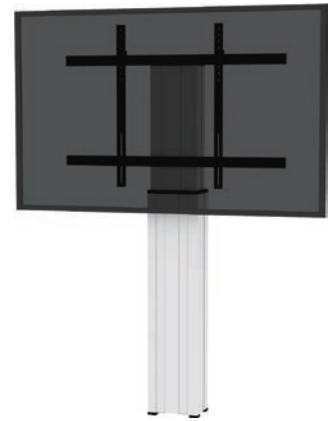
 **42-100"**
107-254cm
  **MIN: 200X200**
MAX: 800X600
 **150 kg**
330 lbs



 89 cm
 119-169 cm
  **EAN**
8717371445867
PLASMA-W250BLACK

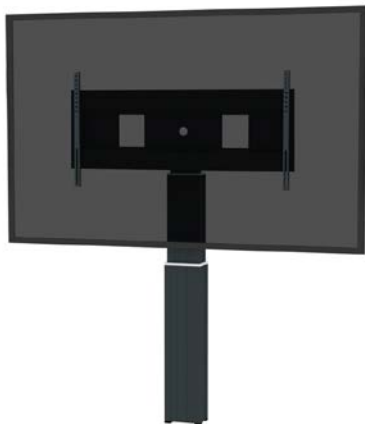




 89 cm
 119-169 cm
  **EAN**
8717371445881
PLASMA-W250SILVER

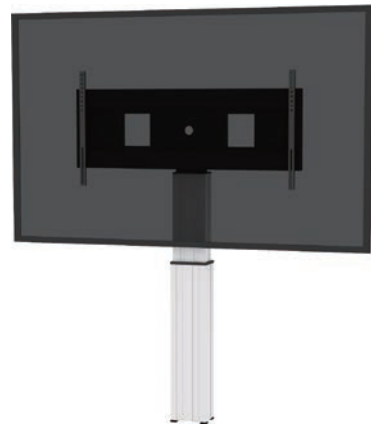


 90 cm
 103-153 cm
  **EAN**
8717371446154
PLASMA-W225OSILVER

 **60-100"**
152-254cm
  **MIN: 300X300**
MAX: 1200X600
 **150 kg**
330 lbs
  119-169 cm



 129 cm
  **EAN**
8717371445911
PLASMA-M250BLACKMS



 129 cm
  **EAN**
8717371445898
PLASMA-W250SILVERMS



SUITED FOR MODELS:

- PLASMA-M2250
- PLASMA-M2500 series
- PLASMA-W2250
- PLASMA-W2500 series



PLASMA-M250OFPLATE

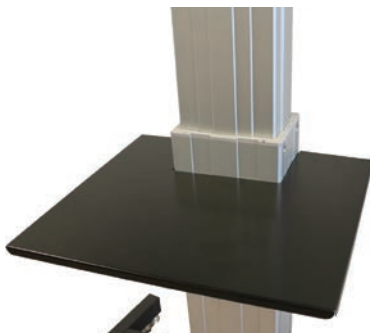


SUITED FOR MODELS:

- PLASMA-M2500 series
- PLASMA-W2500 series



PLASMA-M250OCAMSHELF

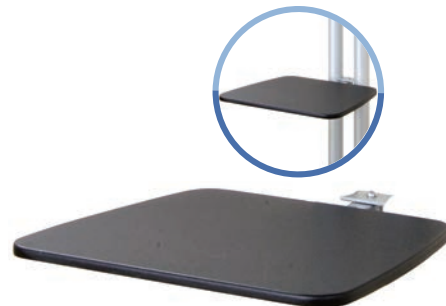


SUITED FOR MODELS:

- PLASMA-M2500 series
- PLASMA-W2500 series



PLASMA-M250OLAPSHELF



SUITED FOR MODELS:

- PLASMA-M1200
- PLASMA-M1800E
- PLASMA-M2000E
- PLASMA-M2000ED







PLASMA-ME-SHELF



MANUAL FLOOR STANDS

WHEN WALL, CEILING MOUNTING OR DESK PLACEMENT IS NOT AN OPTION

Our trolleys offer the option of using the screen across multiple rooms. These floor stands are manually height adjustable on installation and some have cable management enabling the concealment of the cables by routing them inside the trolley.

 32-55" 81-140 cm	 MIN: 200X200 MAX: 600X450	 35 kg 77 lbs	 15°
--	--	--	--



Including laptop and camera shelf

 155-170 cm  EAN 8717371445003

PLASMA-M170OE





Including laptop and camera shelf

 150-165 cm  EAN 8717371445140

PLASMA-M170OES

 27-70"
69-178cm
  MIN: 200X200
MAX: 600X450
  50 kg
110 lbs
  15°



 110-180 cm
  EAN
8717371441623





PLASMA-M1800E



 80-120 cm
  EAN
8717371441609





PLASMA-M1200



 32-55"
81-140cm
  35 kg
77 lbs
  12°
  EAN
8717371445584

PLASMA-M1400



 27-70"
69-178cm
  50 kg
110 lbs
  120-160 cm
  EAN
8717371442378

PLASMA-M1600

37-85"
94-216 cm 15°



100 kg
220 lbs

MIN: 200X200
MAX: 800X400

140-180 cm

180°

EAN 8717371442774

PLASMA-M2000



125 kg
275 lbs

MIN: 200X200
MAX: 870X620

115-185 cm

EAN 8717371442903

PLASMA-M2000E



50-100"
127-254 cm

150 kg
330 lbs

MIN: 400X400
MAX: 1200X800

92-175 cm

EAN 8717371445577

PLASMA-M3000E



32-70"
81-178 cm

125 kg
275 lbs

MIN: 200X200
MAX: 800X600

120-180 cm

20°

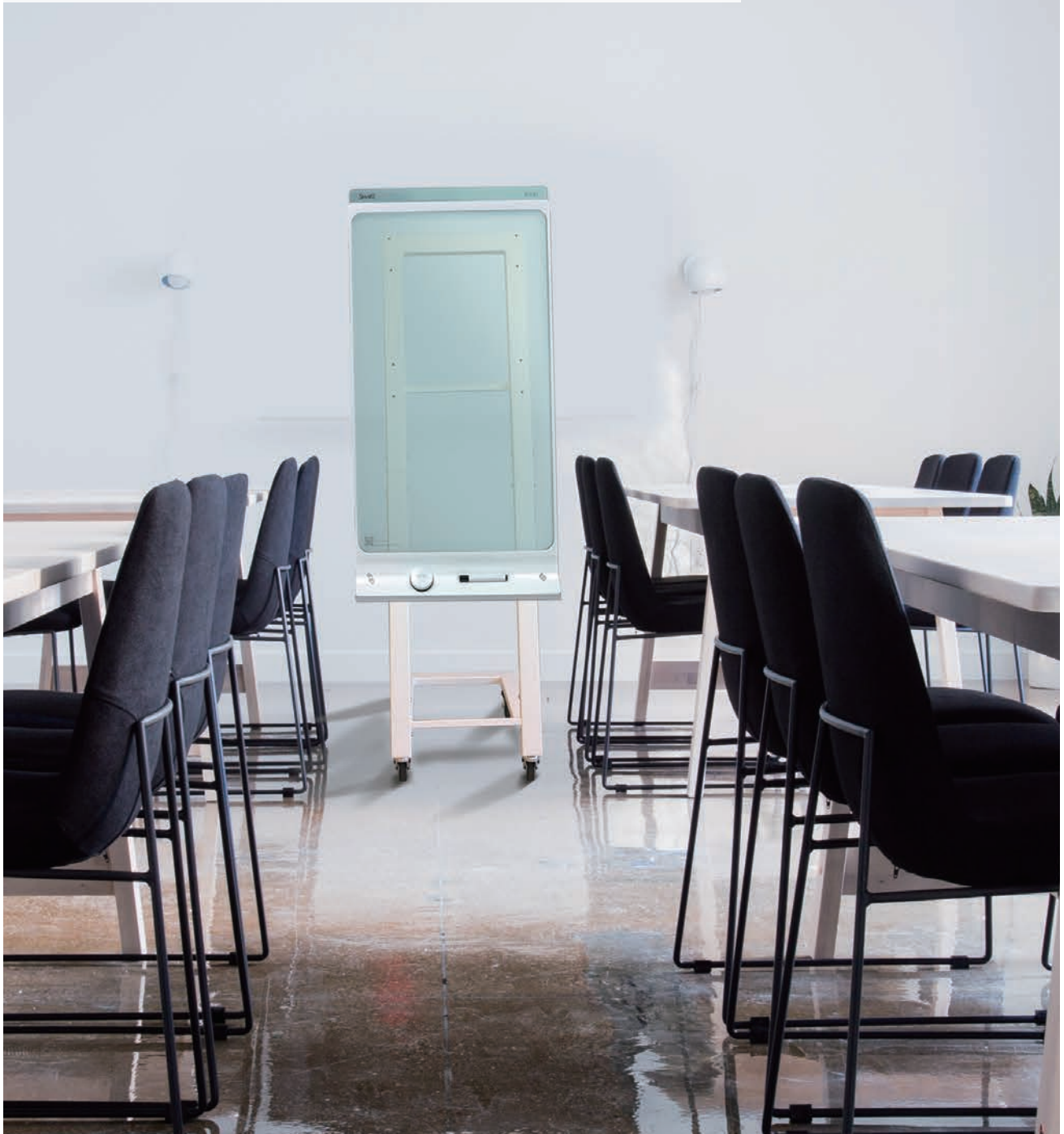
EAN 8717371444426

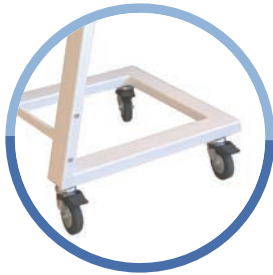
PLASMA-M2000ED

SMART KAPP FLOOR STANDS

FULLY BENEFIT THE CAPABILITIES OF YOUR SMART KAPP

This specific NewStar mount is a mobile floor stand for your Smart Kapp when you'd like the flexibility a trolley brings. NewStar's versatile tilt (15°) lets you get optimal positioning for your audience via the Smart Kapp and it can be height adjusted, either manually or using a spring, depending which option you go for.





 22-42"
59-1079cm

 **25 kg**
55 lbs

 MIN: 400X400
MAX: 400X400

 10°

 EAN
8717371445263

NS-SKM100WHITE



 26-42"
66-107cm

 **35 kg**
77 lbs

 MIN: 400X400
MAX: 400X400

 15°

 EAN
8717371445270

NS-SKM300WHITE



MEDICAL MOUNTS



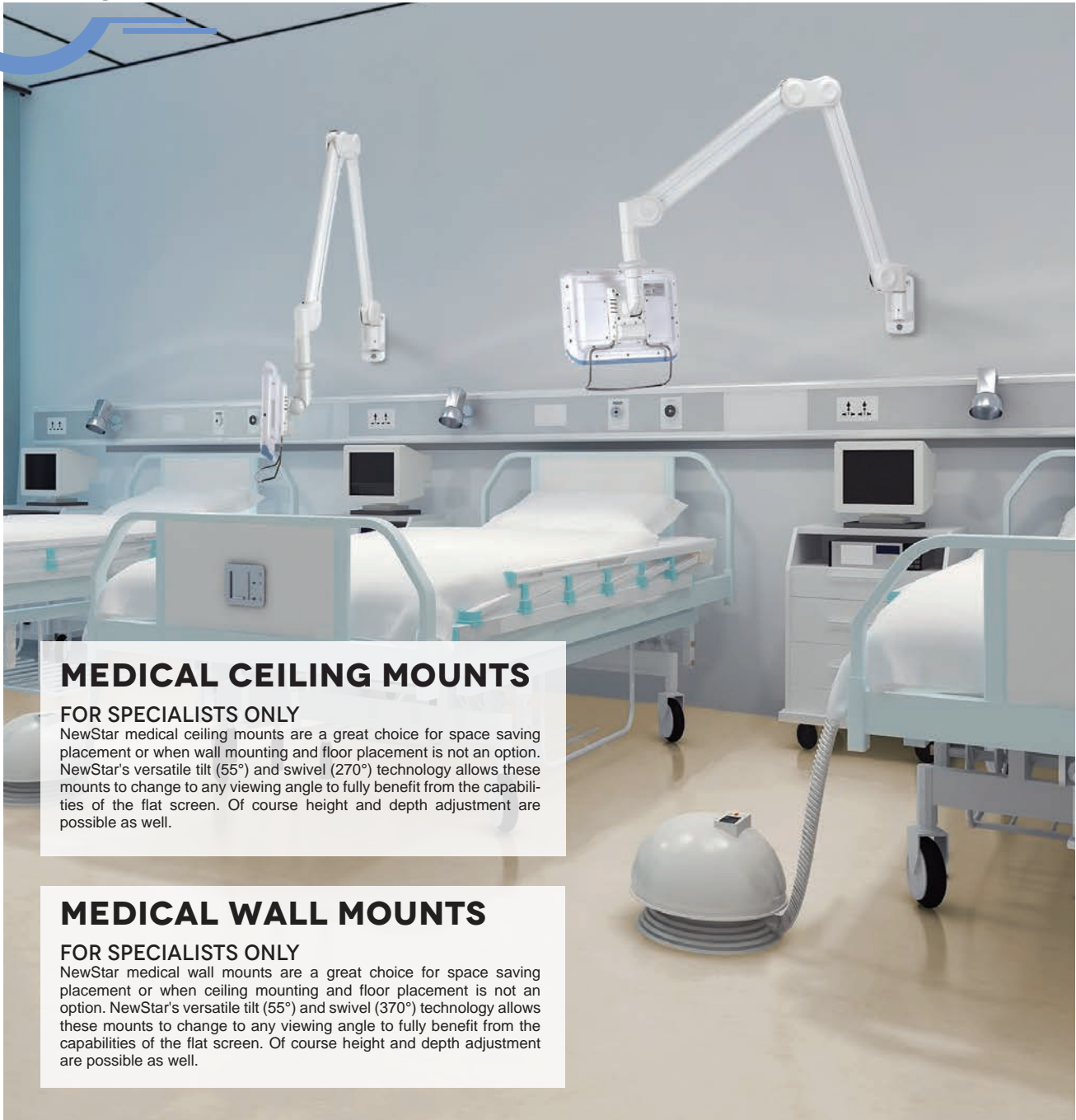
MEDICAL CEILING MOUNTS
PAGE 057-058



MEDICAL WALL MOUNTS
PAGE 058



MEDICAL WORKSTATIONS
PAGE 059



MEDICAL CEILING MOUNTS

FOR SPECIALISTS ONLY

NewStar medical ceiling mounts are a great choice for space saving placement or when wall mounting and floor placement is not an option. NewStar's versatile tilt (55°) and swivel (270°) technology allows these mounts to change to any viewing angle to fully benefit from the capabilities of the flat screen. Of course height and depth adjustment are possible as well.

MEDICAL WALL MOUNTS

FOR SPECIALISTS ONLY

NewStar medical wall mounts are a great choice for space saving placement or when ceiling mounting and floor placement is not an option. NewStar's versatile tilt (55°) and swivel (370°) technology allows these mounts to change to any viewing angle to fully benefit from the capabilities of the flat screen. Of course height and depth adjustment are possible as well.



10-27"
25-69cm

MIN: 75X75
MAX: 100X100

0-149 cm

EAN
8717371444310

55°

370°

7 kg
15.4 lbs

FPMA-HAW200

 MIN: 75X75
MAX: 100X100
  55°
  270°
  0~170 cm



 10-24"
25-61cm

 max 6 kg
13.2 lbs

 EAN
8717371441081

FPMA-HAC100



 10-30"
25-76cm

 max 12 kg
26.4 lbs

 EAN
8717371443177

FPMA-HAC100HC


 MIN: 75X75
MAX: 100X100
  370°



 10-24"
25-61cm

 max 6 kg
13.2 lbs

 55°

 0~170 cm

 EAN
8717371441098


FPMA-HAW100



 10-30"
25-76cm

 max 12 kg
26.4 lbs

 55°

 0~170 cm

 EAN
8717371443184

FPMA-HAW100HC



 10-30"
25-76cm

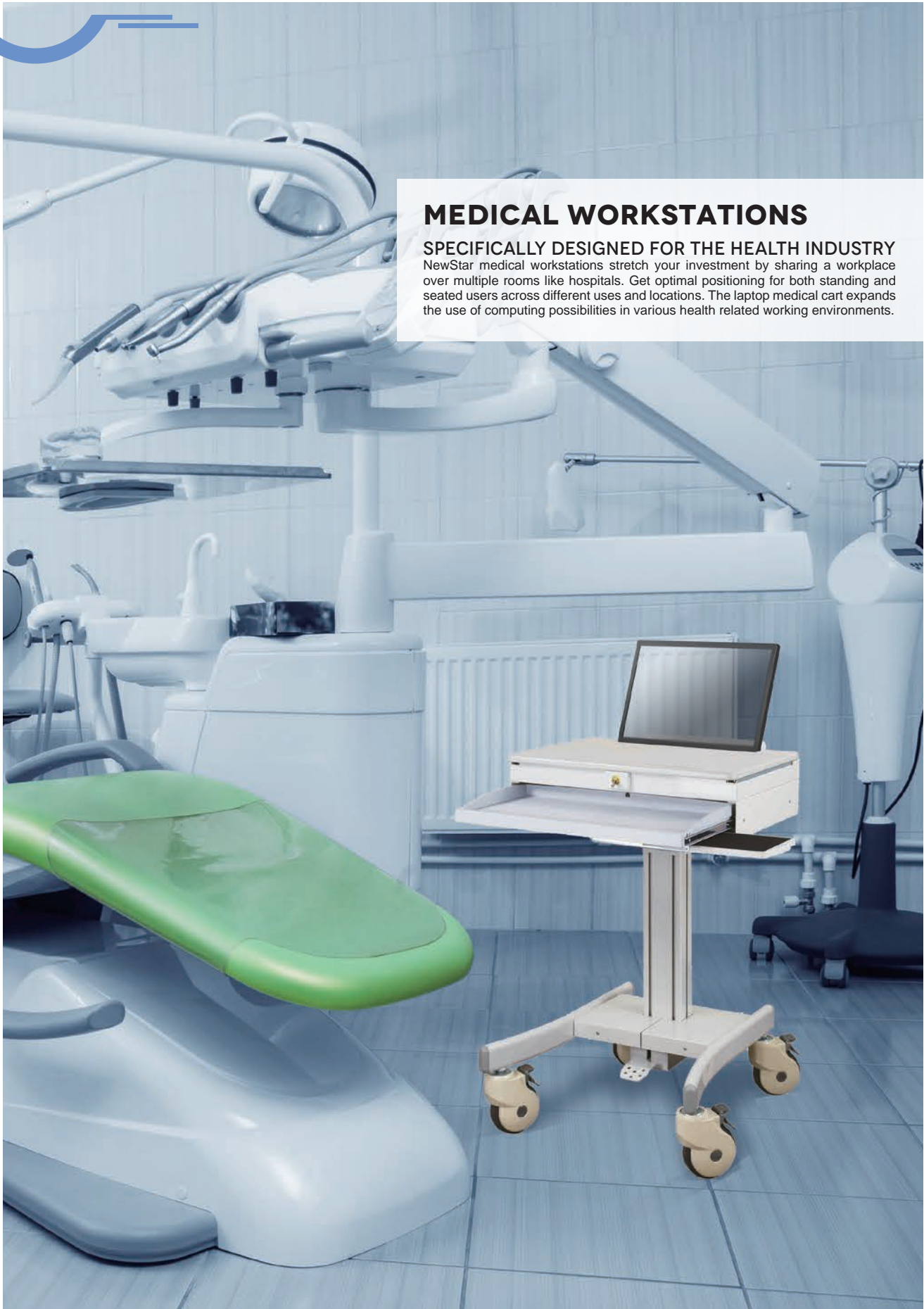
 max 3 kg
6.6 lbs

 60°

 115-135 cm

 EAN
8717371446567

FPMA-HAW300



MEDICAL WORKSTATIONS

SPECIFICALLY DESIGNED FOR THE HEALTH INDUSTRY

NewStar medical workstations stretch your investment by sharing a workplace over multiple rooms like hospitals. Get optimal positioning for both standing and seated users across different uses and locations. The laptop medical cart expands the use of computing possibilities in various health related working environments.



 10-18"
25-46 cm
  max 8 kg
17.6 lbs
  360°
  EAN
8717371446543

MED-M050



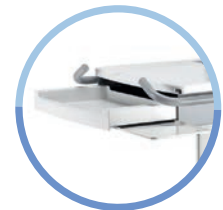
 10-22"
25-56 cm
  max 50 kg
110 lbs
  360°
  EAN
8717371444587

MED-M100



 10-17"
25-43 cm
  max 5 kg
11 lbs
  360°
  EAN
8717371446550

MED-M200





MOBILE & SIT-STAND WORKSTATIONS



MOBILE WORKSTATION
PAGE 063



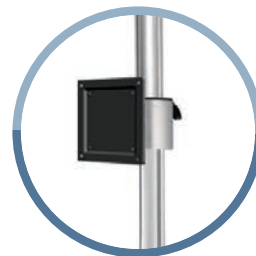
SIT-STAND WORKSTATIONS
PAGE 064



MOBILE WORKSTATION

MOBILE WORKSTATION

This mobile workstation is a mobile floor stand for flat screens, keyboards, mice and PC, which stretches your investment by serving a variety of projection needs over multiple rooms. Get optimal positioning for either standing or sitting work activities, in any application, in any part of your location. The mount is manually height adjustable and routes cables from mount to flat screen.



10-27"
25-69cm

10 kg
22 lbs

MIN: 75X75
MAX: 100X100

180°

25°

EAN
8717371440701

FPMA-MOBILE1800



SIT-STAND WORKSTATIONS

SET-UP AN ERGONOMIC WORKSPACE

The NewStar sit-stand workstation converts a table top into a healthy sit-stand workstation. This workstation includes a spacious upper display surface and lower keyboard and mouse desk. It features a spring-assisted lift mechanism, that lets you switch easily between sitting and standing in just a few seconds. This ergonomic product offers you maximum comfort, freedom of movement and productivity. Simple to start enjoying the health benefits of standing while you work.



15 kg
33 lbs



90cm



13-50 cm



64 cm



EAN
8717371445645

NS-WS100BLACK



15 kg
33 lbs



90cm



13-50 cm



64 cm

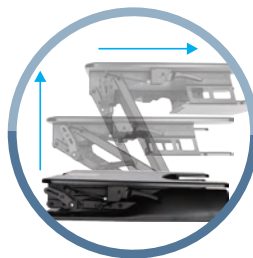


EAN
8717371445683

NS-WS100WHITE



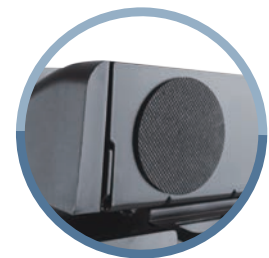
Activate and de-activate within seconds



Smooth height adjustment



Ergonomic keyboard tray



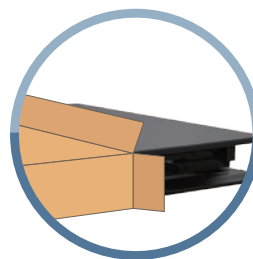
Silicone protection



Spring lifting mechanism



Sturdy construction



No assembly required



NOTEBOOK & TABLET MOUNTS



NOTEBOOK MOUNTS
PAGE 067~070



TABLET MOUNTS
PAGE 071



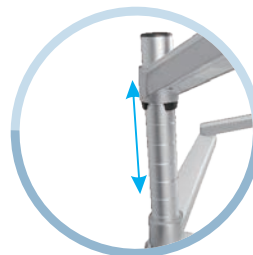
NOTEBOOK RISERS
PAGE 072



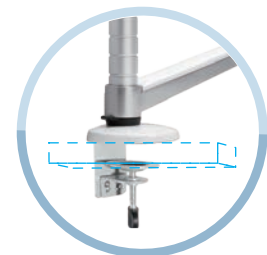
NOTEBOOK MOUNTS

HEIGHT ADJUSTABLE IN SECONDS

By using an ergonomic notebook mount you prevent neck- and back complaints. Ideal for use in offices, on counters, in a reception area or at home. NewStar notebook mounts are a great choice for space saving placement on desks using a desk clamp, grommet or stand. Some of our notebook mounts feature tilt and swivel motion and height adjustment. Keyboard and mouse trays also available as an option. Installation material is of course included.



Height adjustable












Stable clamp installation



Adjustable safe lock



Horizontal 360° plate

-  10-27"
25-69cm
-  15-40 cm
-  0-50 cm
-  10 kg
22 lbs
-  65°
-  CLAMP
-  MIN: 75X75
MAX: 100X100
-  360°
-  EAN
8717371445218

FPMA-D300NOTEBOOK



- 10-27"
25-69cm
- 10 kg**
22 lbs
- 180°
- 10-43 cm
- MIN: 75X75
MAX: 100X100
- 180°
- CLAMP
- 0-45 cm
- 360°
- EAN
8717371444891

FPMA-D960NOTEBOOK



- 10-32"
25-81 cm
- 8 kg**
17.6 lbs
- 90°
- 4-64 cm
- MIN: 75X75
MAX: 100X100
- 180°
- CLAMP
GROMMET
- 0-44 cm
- 360°
- EAN
8717371446413

FPMA-D550NOTEBOOK



- 10-18"
25-46cm
- 10 kg**
22 lbs
- 360°
- 0-50 cm
- 15-40 cm
- CLAMP
- 65°
- EAN
8717371445218

NOTEBOOK-D300



- 10-17"
25-43 cm
- 5 kg**
11 lbs
- 360°
- 0-60 cm
- 0-46 cm
- CLAMP
- 45°
- EAN
8717371442132

NOTEBOOK-D200



- 10-22"
25-56cm
- 15 kg**
33 lbs
- 180°
- 0-57 cm
- 0-26 cm
- CLAMP
- 30°
- EAN
8717371441593

NOTEBOOK-D100



MIN: 75X75
MAX: 100X100

EAN
8717371442439

NOTEBOOK-V100



MIN: 75X75
MAX: 100X100

EAN
8717371445768

NOTEBOOK-V200



10-22" 25-56 cm 18-27 cm 25 cm

5 kg 11 lbs 31°-52° EAN 8717371442637

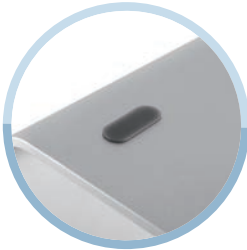
NSLS100



10-17" 25-43 cm 21 cm

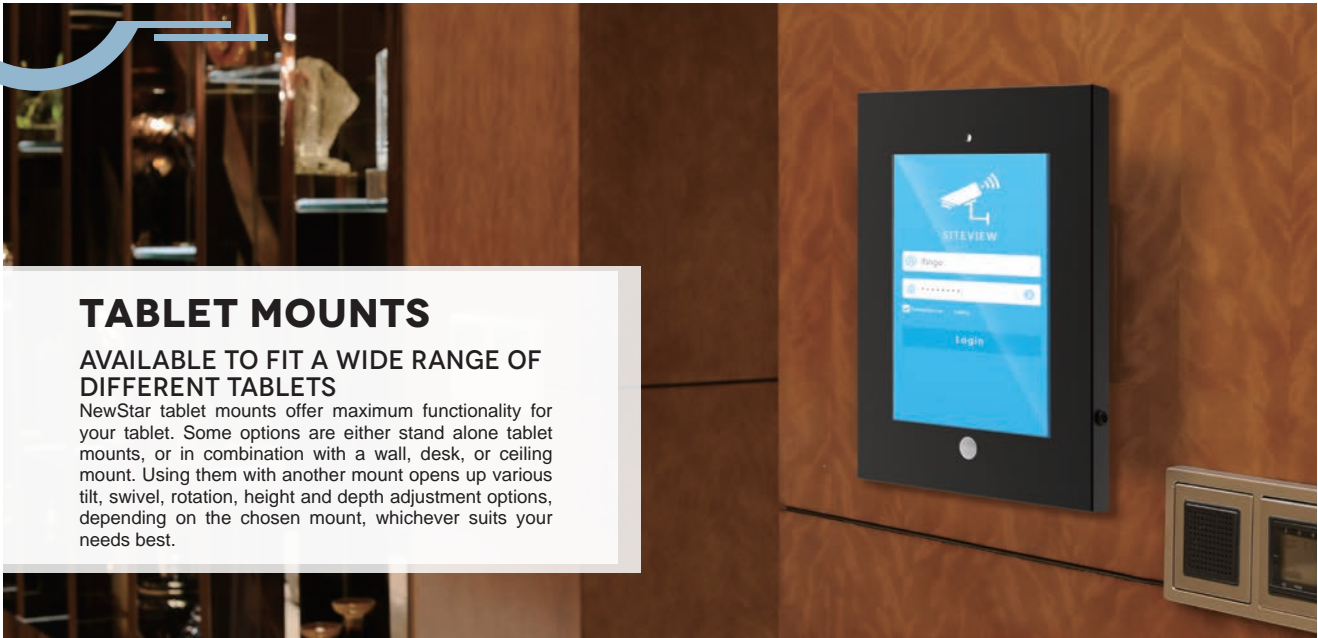
6.8 cm 24 cm EAN 8717371445744

NSLS025



- 10-17" / 25-43 cm
- 24 cm
- 360°
- 14 cm
- 24 cm
- EAN 8717371445751

NSLS050



TABLET MOUNTS

AVAILABLE TO FIT A WIDE RANGE OF DIFFERENT TABLETS

NewStar tablet mounts offer maximum functionality for your tablet. Some options are either stand alone tablet mounts, or in combination with a wall, desk, or ceiling mount. Using them with another mount opens up various tilt, swivel, rotation, height and depth adjustment options, depending on the chosen mount, whichever suits your needs best.

For iPad 2/3/4



10 kg
22 lbs



MIN: 100X100
MAX: 100X100



EAN
8717371444327

IPAD2N-UN20BLACK



ANTI-THEFT



For iPad 1/2/3/4/Air and most 9,7 "-10,1" tablets



360°



180°



EAN
8717371446536

TABLET-D100SILVER



5 kg
11 lbs



65°



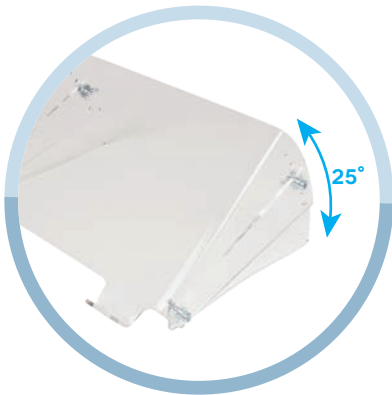
EAN
8717371444570

NS-MKIT100

NOTEBOOK RISER

MAKE THE MOST OF YOUR NOTEBOOK

Our notebook raisers allows you to change the height of your laptop, which can be beneficial in avoiding neck and back complaints. Ideal for use in offices, on counters, in a reception area or at home. Want to raise your notebook and keep it cool, all at once? The NewStar universal notebook cooler is a universal cooling stand for notebooks which offers different tilt positions for maximum viewing comfort. Easy to fold flat, light weight and portable with width adjustable to accommodate most size laptops.



 10-22"
25-56cm

 15 kg
33 lbs

 25°

 EAN
8717371441180


NSNOTEBOOK300



 10-22"
25-56cm

 10 kg
22 lbs

 22-32 cm

 2-4 cm

 10°

 EAN
8717371440671

NSLC200





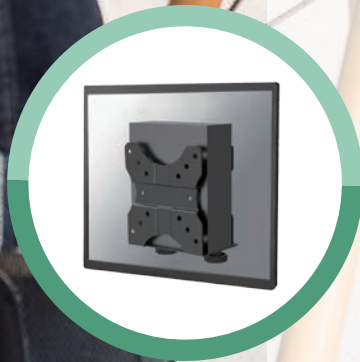
PC, MEDIA PLAYER & THIN CLIENT MOUNTS



PC MOUNTS
PAGE 075~080



MEDIA PLAYER MOUNTS
PAGE 081



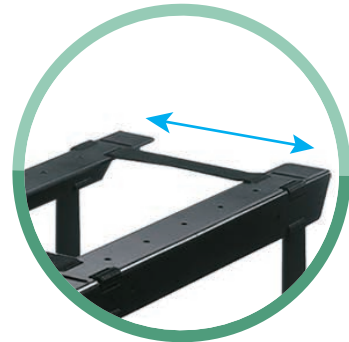
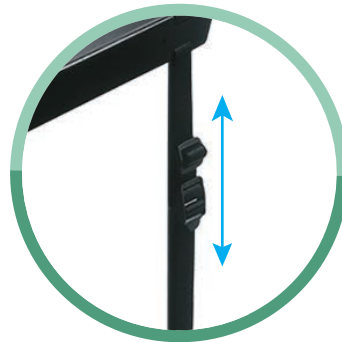
THIN CLIENT MOUNTS
PAGE 082~084



PC MOUNTS

TO CREATE A NEED AND CLEAN OFFICE SPACE

NewStar PC mounts allow you to mount a desktop PC computer under a desk or on a wall, which then frees up the workplace clean without having to place the PC computers on the floor. Keeping PC computers off the floor increases the lifetime due to reduced intake of dust and dirt from being on the floor. Our PC mounts are easy to adjust in width and depth to fit most desktop and tower PCs.



 **20 kg**
44 lbs*

 **8-70 cm**

 **3-60 cm**

 **EAN**
8717371444198

CPU-D025BLACK 

180° 20 kg / 44 lbs max 0-55 cm 5-24 cm



EAN 8717371442026

CPU-D050BLACK



EAN 8717371442033

CPU-D050SILVER

10 kg / 22 lbs max 20-36 cm 5-10 cm



LOCK INCLUDED

EAN 8717371443986

CPU-D075BLACKLK



EAN 8717371442408

CPU-D075BLACK

 **30 kg**
66 lbs
  39~54 cm
  13~23 cm



 EAN
8717371441388

CPU-D200BLACK



 EAN
8717371441371

CPU-D200SILVER

 **30 kg**
66 lbs
  180°
  39~54 cm
  13~23 cm



 EAN
8717371441401

CPU-D250BLACK



 EAN
8717371441395

CPU-D250SILVER



 **30 kg**
66 lbs
  **30~53 cm**
 **8~22 cm**



 EAN
8717371442200

CPU-D100BLACK



 EAN
8717371442415

CPU-D100WHITE



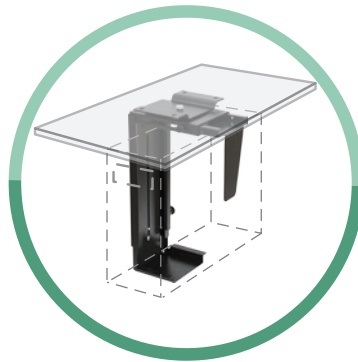
 EAN
8717371442217

CPU-D100SILVER







360°



 **10 kg**
22 lbs

 **360°**

 **9-20 cm**

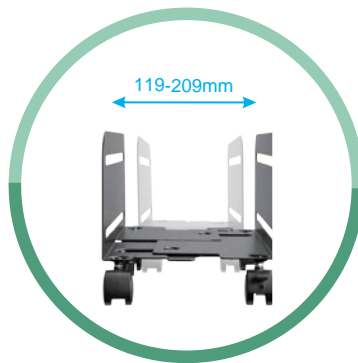
 **30-53 cm**




 **EAN**
8717371445720

NM-CPU100BLACK

079

Visit www.newstar.eu for more information



 **10 kg**
22 lbs  **12-21 cm**  **EAN**
8717371446055

CPU-M100BLACK 

MEDIA PLAYER MOUNTS



SOLUTIONS FOR YOUR MEDIA PLAYER

NewStar Media Player mounts allow you to mount a media player directly to a TV screen or in between a mount and the screen. The mount creates a neat and clean living space, because its stored behind the TV and doesn't use any valuable space.



Fits Apple TV models 2, 3 and 4









 MIN: 75X75 MAX: 75X75	 10.4 cm
 10 kg 22 lbs	 4.2 cm
 10.5 cm	 EAN 8717371445553

NS-ATV100

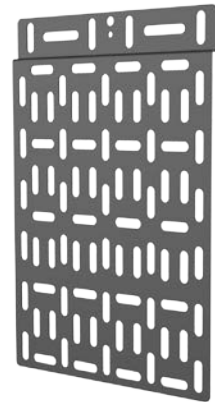








Fits all Apple TVs and most other media boxes

 3 kg 6.6 lbs	 13.5 cm
 10.3 cm	 1 cm
 EAN 8717371445775	 EAN 8717371445775

NS-ATV050

Option of installation: wall mounting, VESA bracket mounting, mounting directly on TV



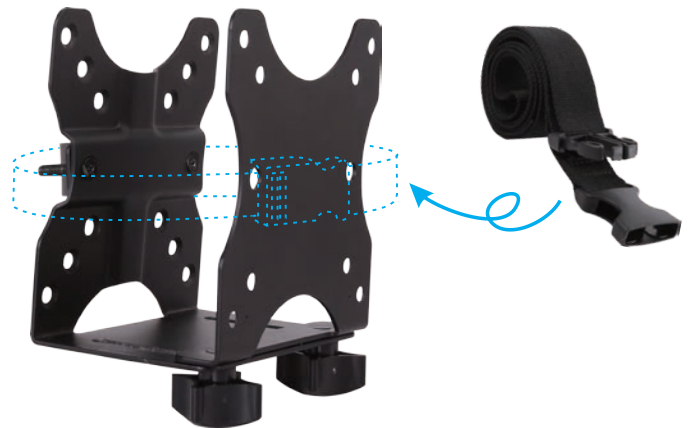
 5 kg 11 lbs	 34.2 cm
 22.4 cm	 1 cm
 EAN 8717371446253	 EAN 8717371446253

NSMPM100

THIN CLIENT / SMALL FORM FACTOR / MINI PC MOUNTS

SOLUTIONS FOR THIN CLIENTS, SMALL FORM FACTOR AND MINI PCS

NewStar Thin Client mounts allow you to mount a mini computer directly to a monitor arm or in between a mount and the screen. A thin client mount creates a neat and clean desk because its stored behind the monitor and doesn't use any valuable desk space.



MIN: 50X50
MAX: 100X100

5 kg
11 lbs

1-7 cm

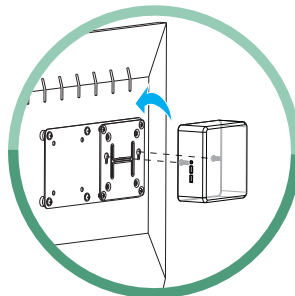
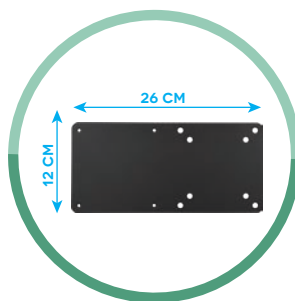
13.8 cm

EAN
8717371445737

NM-TC100BLACK



THIN CLIENT MOUNTS



 **3 kg**
6.6 lbs

 **26 cm**

 **MIN: 75X75**
MAX: 100X100


 **12 cm**

 **EAN**
8717371445782

THINCLIENT-01



 **10 kg**
22 lbs

 **MIN: 75X75**
MAX: 100X100

 **EAN**
8717371445164

THINCLIENT-05



 **10 kg**
22 lbs

 **13.8 cm**

 **1-10 cm**

 **MIN: 50X50**
MAX: 100X100

 **EAN**
8717371443283

THINCLIENT-20



 **10 kg**
22 lbs

 **1-10 cm**

 **13.8 cm**


 **MIN: 50X50**
MAX: 100X100

 **EAN**
8717371443276

THINCLIENT-10



 **50 kg**
110 lbs

 **5-10 cm**

 **26.3 cm**

 **MIN: 50X50**
MAX: 200X200

 **EAN**
8717371446512

THINCLIENT-200



PROJECTOR MOUNTS



**CEILING
PROJECTOR MOUNTS**
PAGE 086~090



WALL PROJECTOR MOUNTS
PAGE 091~092



PROJECTOR MOUNTS

Ceiling projector mounts

LINE DRAWINGS PAGE 154



CEILING PROJECTOR MOUNTS

MOUNTING YOUR PROJECTOR TO THE CEILING

NewStar ceiling projector mounts are a great choice for an optimal viewing experience. We offer various ceiling projector mounts with tilt and swivel features, some of them including innovative cable management to hide your cables within the column and keep it nice and tidy. The versatile, ready to install mounts, offer the convenience of installation to the ceiling without the need of additional accessories.



15 kg
33 lbs



360°



20°



58-83 cm



EAN
8717371440619

BEAMER-C100



EAN
8717371442002

BEAMER-C100SILVER



 **10 kg**
22 lbs

 **90°**

 **18.5 cm**

 **360°**

 **EAN**
8717371443979

BEAMER-C50

 **15 kg**
33 lbs

 **15°**

 **360°**

 **8-15 cm**



 **EAN**
8717371441326

BEAMER-C80



 **EAN**
8717371444396

BEAMER-C80WHITE



PROJECTOR MOUNTS

Ceiling projector mounts



12 kg
26 lbs
360°
90°
72-112 cm
EAN
8717371442910

BEAMER-C350BLACK



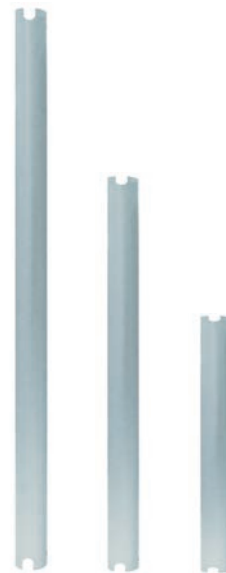
15 cm
15 kg
33 lbs
90°
360°
EAN
8717371442019

BEAMER-C300



15 kg
33 lbs
15°
360°
8-98 cm
EAN
8717371441272

BEAMER-C200



COMPATIBLE WITH:

- BEAMER-C80
- BEAMER-C200

15 kg
33 lbs
EAN
8717371441968

BEAMER-P100

HEIGHT
100 CM

15 kg
33 lbs
EAN
8717371441975

BEAMER-P150

HEIGHT
150 CM

15 kg
33 lbs
EAN
8717371441982

BEAMER-P200

HEIGHT
200 CM



 13.5 cm

 **25 kg**
55 lbs

 20°

 360°

 EAN
8717371445171

NM-BC25BLACK



 67-90 cm

 **25 kg**
55 lbs

 360°

 20°

 EAN
8717371445188

NM-BC75BLACK



PROJECTOR MOUNTS

Wall projector mounts



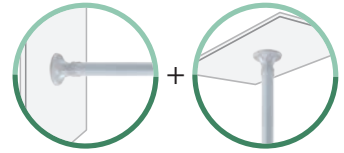
WALL PROJECTOR MOUNTS

MOUNTING YOUR PROJECTOR TO THE WALL

Projector mounts are ideal for use in offices, schools, hospitals or at home. And when mounting your projector to the ceiling is not an option, NewStar offers you the option of mounting to a wall. We offer various wall projector mounts with tilt and swivel features, some of them including innovative cable management to hide your cables within the column and keep it nice and tidy. The versatile, ready to install mounts, offer the convenience of installation to the ceiling without the need of additional accessories.



2-IN-1 CEILING AND WALL MOUNT



max **12 kg**
26 lbs 360° 90°



73-123 cm EAN 8717371442330

BEAMER-W100SILVER



37-47 cm EAN 8717371442323

BEAMER-W050SILVER



37-47 cm EAN 8717371445010

BEAMER-W050BLACK



SPEAKER MOUNTS



SOUNDBARS

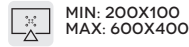
COMBINING SCREEN AND SOUND

Our soundbar mounts are the best choice to mount either your SONOS Playbar or other soundbar brands to your existing TV bracket. The mounts are easy to mount with all brands of TVs or monitors on a wall or ceiling. Ideal to hold both flat screen TVs and the soundbar together, allowing both units to rotate together to face the desired direction to fully benefit the capabilities of the speaker.

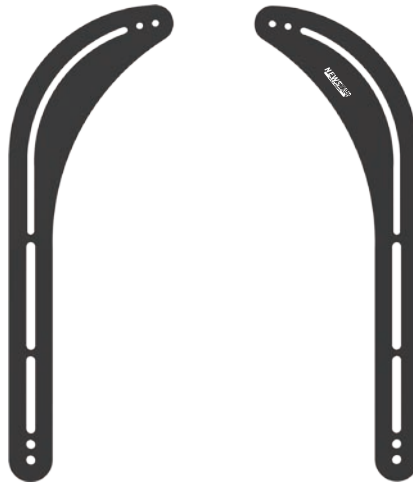
SPEAKER MOUNTS

PERFECTLY ANGLE YOUR SOUND

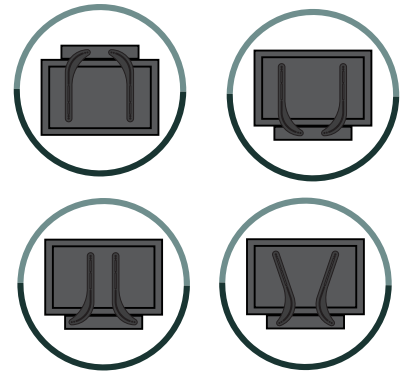
NewStar speaker mounts are the best choice speaker brackets to mount speakers to your wall or ceiling. Our speaker mounts are not only space saving, but also provide an optimal listening position. With our wide range of speaker products, you can select from fixed to fully adjustable models to maximise the capabilities of the speaker and enjoy perfectly angled sound.



SUITABLE FOR MOST SONOS, SONY & VIZIO SOUNDBARS



ATTACH TO WALL MOUNT OR DIRECTLY TO TV



EAN 8717371445119

NM-USP100BLACK

EAN 8717371444792

NS-SB100



SPEAKER MOUNT FOR BOTH CEILING AND WALL MOUNTING



EAN 8717371441104

SPEAKER-W100

EAN 8717371441289

SPEAKER-W100BLACK



WALL MOUNTS



FIXED WALL MOUNTS
PAGE 097-104



TILT WALL MOUNTS
PAGE 105-108



TILT & SWING WALL MOUNTS
PAGE 109-124



VIDEO WALL MOUNTS
PAGE 125-127



WALL MOUNT ACCESSORIES
PAGE 128

WALL MOUNTS

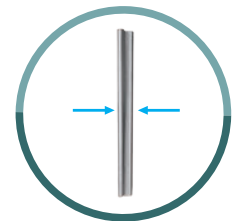
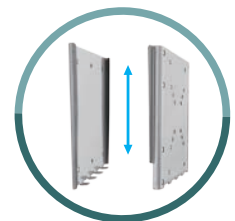
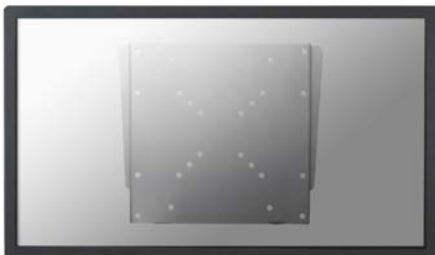
Fixed wall mounts



FIXED WALL MOUNTS

CREATE A CLEAN DESIGN AMBIANCE

NewStar fixed wall mounts are a great choice when you want to create a clean design ambiance for your flat screen TV in the living room, bedroom or home cinema. Our fixed wall mounts allow you to mount your flat screen close to the wall and are ideal when one viewing angle is all you need. Our wall mounts all work the industry standard VESA hole patterns. Should you wish to adjust VESA hole patterns from one size to another, then this can be achieved using our VESA adapter plates. For every screen we have a mounting solution.



10-40"
25-102 cm

MIN: 75X75
MAX: 200X200

EAN
8717371441265

max 35 kg
77 lbs

1.7-4 cm

FPMA-W110

10-40"
25-102 cm

MIN: 75X75
MAX: 200X200

EAN
8717371446451

max 35 kg
77 lbs

1.7-4 cm

FPMA-W110BLACK

10-30"
25-76 cm



MIN: 75X75
MAX: 100X100

25 kg
55 lbs

EAN
8717371445805

1.25 cm

NM-W25BLACK

MIN: 75X75
MAX: 100X100

30 kg
66 lbs

EAN
8717371440077

2.6 cm

FPMA-W50

MIN: 50X50
MAX: 100X100

30 kg
66 lbs

EAN
8717371441319

1.5 cm

FPMA-W25

MIN: 50X50
MAX: 100X100

30 kg
66 lbs

EAN
8717371441319

1.5 cm

FPMA-W25BLACK

50 kg
110 lbs

1.5-3 cm



22-40"
56-102 cm

MIN: 100X100
MAX: 200X200

EAN
8717371442934

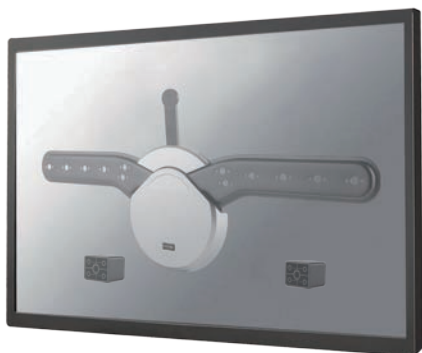
LED-W020

23-52"
58-132 cm

MIN: 100X100
MAX: 400X400

EAN
8717371442941

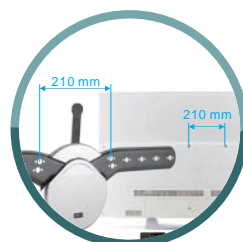
LED-W040



Integrated bubble level



Retractable handle



Compatible with most LG OLED TVs



Quick-release mechanism

32-70"
56-102 cm

40 kg
88 lbs

MIN: 200X200
MAX: 600X400

3.3 cm

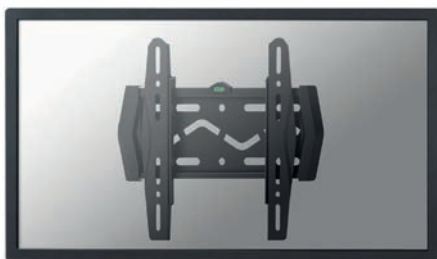
EAN
8717371445706

6°

OLED-W600BLACK

50 kg
110 lbs

1.5-3 cm

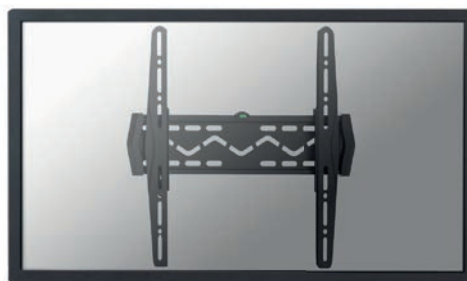


22-40"
56-102 cm

EAN
8717371442958

MIN: 100X100
MAX: 200X200

LED-W120

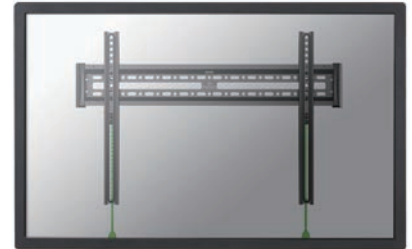
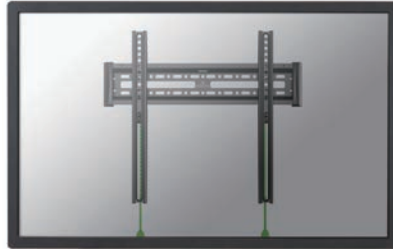
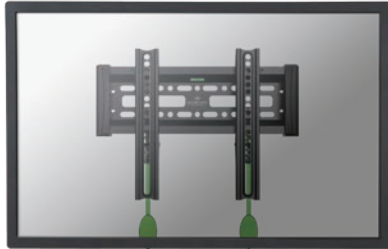


23-52"
58-132 cm

EAN
8717371442965





MIN: 100X100
MAX: 400X400

LED-W140




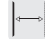



 **10-40"**
25-102 cm
 **20 kg**
44 lbs
 **MIN: 75X75**
MAX: 200X200
 **2.9 cm**
 **EAN**
8717371444969

NM-W120BLACK

 **32-52"**
81-132 cm
 **50 kg**
110 lbs
 **MIN: 100X100**
MAX: 400X400
 **2.9 cm**
 **EAN**
8717371444631

NM-W340BLACK

 **37-65"**
94-165 cm
 **50 kg**
110 lbs
 **MIN: 100X100**
MAX: 600X400
 **2.9 cm**
 **EAN**
8717371444655

NM-W360BLACK

 **35 kg**
77.2 lbs
 **1.8 cm**



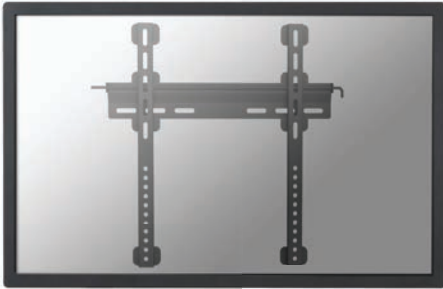
 **32-55"**
81-140 cm
 **EAN**
8717371446307
 **MIN: 100X100**
MAX: 400X400

LED-W400

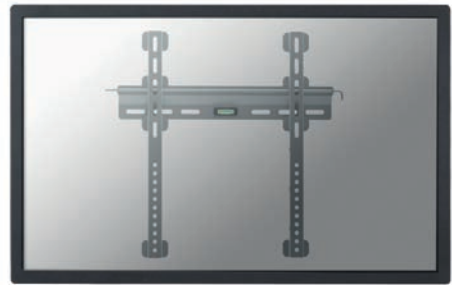
 **37-75"**
94-191 cm
 **EAN**
8717371446338
 **MIN: 200X200**
MAX: 600X400


LED-W600

 23-52"
58-132 cm
  50 kg
110 lbs
  MIN: 100X100
MAX: 400X400
  1.9-4 cm



LOCK
INCLUDED



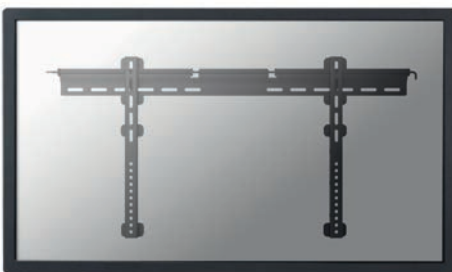
 EAN
8717371443634

PLASMA-WO40BLACK

 EAN
8717371441630

PLASMA-WO40

 37-75"
94-190 cm
  50 kg
110 lbs
  MIN: 200X200
MAX: 800X400
  1.9-4 cm



LOCK
INCLUDED

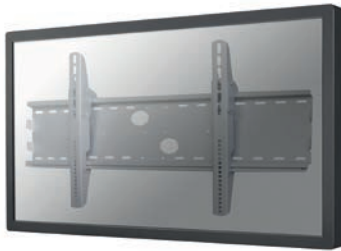


 EAN
8717371443627

PLASMA-WO65BLACK

 EAN
8717371442194

PLASMA-WO65



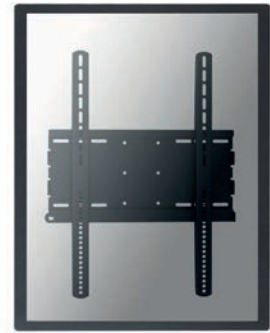
37-85"
 90-215 cm
 MIN: 200X200
 MAX: 865X480
 100 kg
 220 lbs
 EAN 8717371440589
 3-4 cm

LED-W120



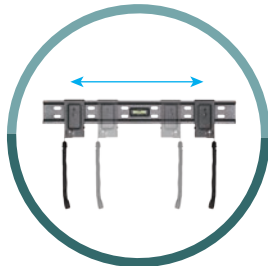
32-55"
 81-140 cm
 MIN: 100X100
 MAX: 400X400
 20 kg
 44 lbs
 EAN 8717371442521
 1.5-3 cm

PLASMA-W800



32-85"
 81-216 cm
 MIN: 200X200
 MAX: 400X770
 75 kg
 165 lbs
 EAN 8717371442590
 3.2 cm

PLASMA-WP100



50 kg
 110 lbs
 1.5-3 cm



23-52"
 58-132 cm
 MIN: 100X100
 MAX: 400X400
 EAN 8717371442545

PLASMA-W840



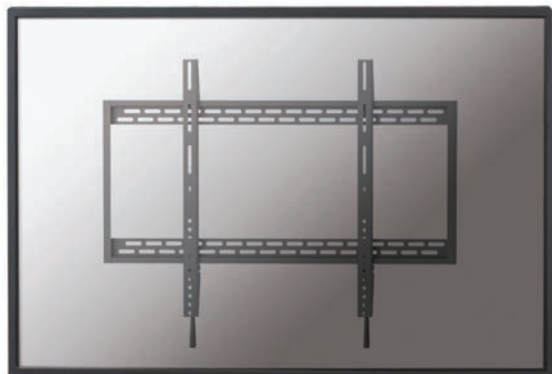
32-60"
 81-152 cm
 MIN: 200X200
 MAX: 600X600
 EAN 8717371442569

PLASMA-W860



37-75"
 94-190 cm
 MIN: 200X200
 MAX: 800X800
 EAN 8717371442552

PLASMA-W880



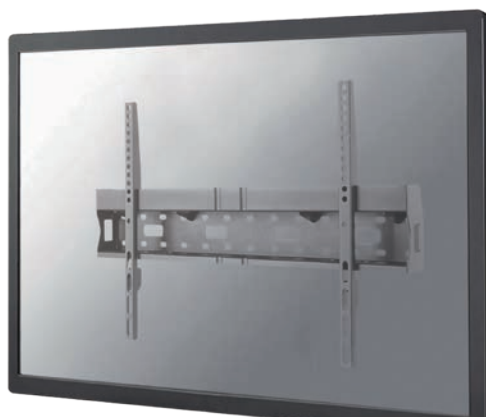
Also suitable for portrait mounting

 60-100" 152-254 cm	 MIN: 200X200 MAX: 900X600	 3.2 cm
 125 kg 276 lbs	 EAN 8717371445423	


LFD-W1000

 60-100" 152-254 cm	 MIN: 200X200 MAX: 1200X800	 3 cm
 150 kg 331 lbs	 EAN 8717371445591	

LFD-W1500



Option to store a Mediaplayer

 37-75" 94-110 cm	 MIN: 200X200 MAX: 600X400	 360°
 50 kg 110 lbs	 EAN 8717371446345	 5 cm

LED-WR100BLACK

 37-75" 94-110 cm	 MIN: 200X200 MAX: 600X400	 6 cm
 35 kg 77 lbs	 EAN 8717371446352	

LFD-W1640MP



1 x Flatscreen wall mount



1 x HDMI cable
3 meter/10 feet



1 x RF antenna cable
3meter/10 feet



1 x cable sock
3meter/10 feet



1 x cleaning fluid
(60 ml)



1 x cleaning brush



1 x microfibre cloth
(30x30 cm)

23-55"
58-140 cm

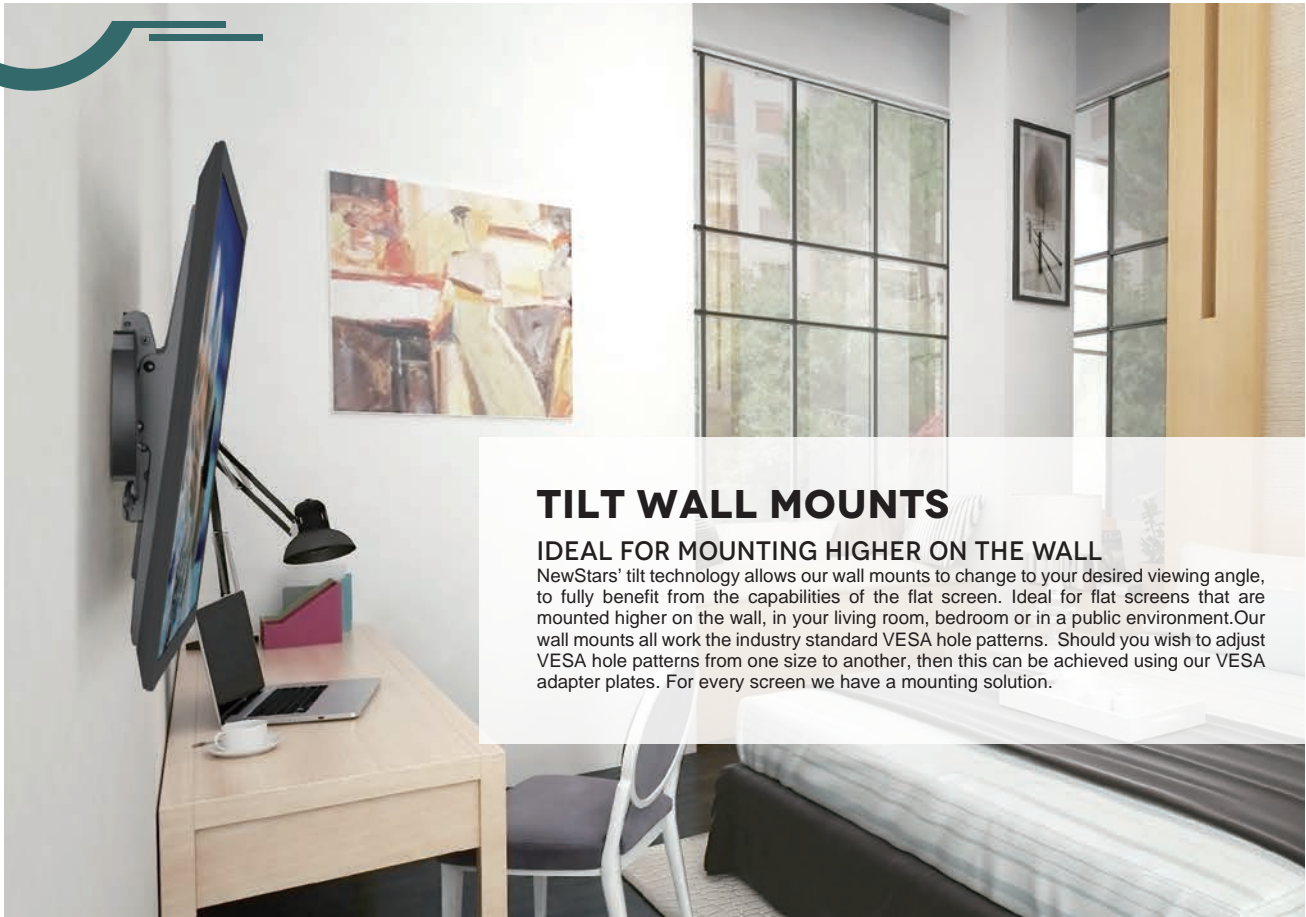
MIN: 100X100
MAX: 400X400

75 kg
165 lbs

EAN
8717371442606

3.2 cm

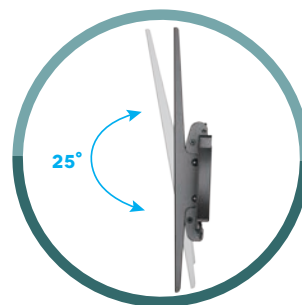
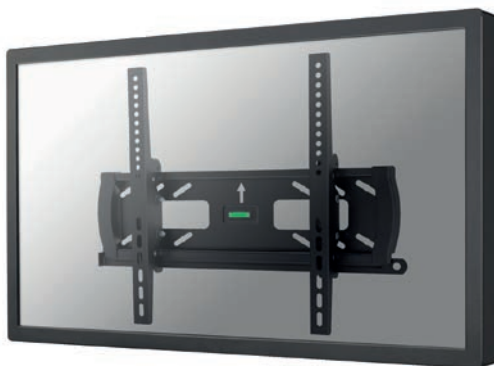
PLASMA-WKIT1









TILT WALL MOUNTS

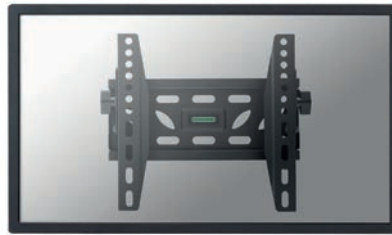
IDEAL FOR MOUNTING HIGHER ON THE WALL

NewStars' tilt technology allows our wall mounts to change to your desired viewing angle, to fully benefit from the capabilities of the flat screen. Ideal for flat screens that are mounted higher on the wall, in your living room, bedroom or in a public environment. Our wall mounts all work the industry standard VESA hole patterns. Should you wish to adjust VESA hole patterns from one size to another, then this can be achieved using our VESA adapter plates. For every screen we have a mounting solution.



- 
23-60"
58-152 cm
- 
50 kg
110 lbs
- 
MIN: 75X75
MAX: 400X400
- 
25°
- 
5.9 cm
- 
EAN
8717371444105

PLASMA-W240



10-30"
25-76 cm
15 kg
33 lbs
MIN: 50X50
MAX: 100X100
5 cm
20°
EAN
8717371443931

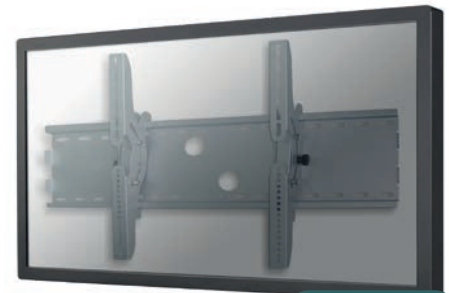
FPMA-W60

22-40"
56-102 cm
50 kg
110 lbs
MIN: 100X100
MAX: 200X200
3.9 cm
10°
EAN
8717371442972

LED-W220

10-40"
25-101 cm
35 kg
77 lbs
MIN: 100X100
MAX: 200X200
7 cm
20°
EAN
8717371440831

FPMA-W120



Lockable

23-52"
58-132 cm
50 kg
110 lbs
MIN: 100X100
MAX: 400X400
3.9 cm
10°
EAN
8717371442989

LED-W240

10-30"
25-76 cm
25 kg
55 lbs
MIN: 75X75
MAX: 100X100
3.4 cm
15°
EAN
8717371445829

NM-W60BLACK

37-85"
94-216 cm
100 kg
220 lbs
MIN: 200X200
MAX: 865X480
7 cm
30°
EAN
8717371440596

PLASMA-W200



 **32-55"**
 94-110 cm

 **35 kg**
 77 lbs

 **MIN: 100X100**
MAX: 400X400


 **12°**


 **3 cm**


 **EAN**
 8717371446420


LED-W450





 **37-75"**
 94-110 cm

 **35 kg**
 77 lbs

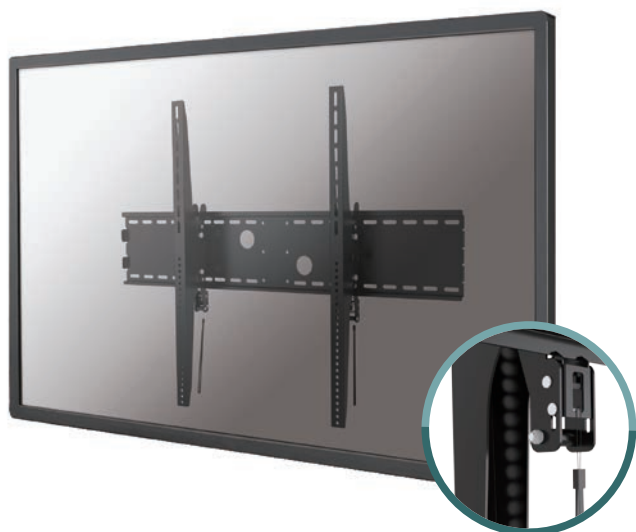
 **MIN: 100X100**
MAX: 600X400

 **12°**

 **3 cm**

 **EAN**
 8717371446437

LED-W650



 **60-100"**
 152-254 cm

 **125 kg**
 276 lbs

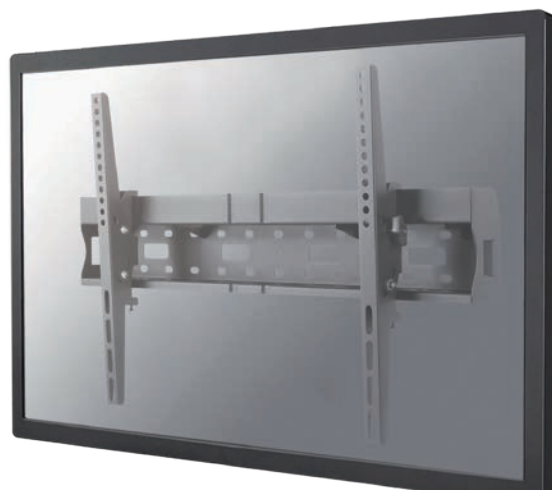
 **MIN: 200X200**
MAX: 1000X800

 **30°**


 **13 cm**


 **EAN**
 8717371445430


LFD-W2000





Option to store a Mediaplayer


 **37-75"**
 94-110 cm

 **35 kg**
 77 lbs

 **MIN: 200X200**
MAX: 600X400



 **30°**

 **9 cm**

 **EAN**
 8717371446444

LFD-W2640MP



 10-40" 25-102 cm	 3.5 cm
 20 kg 44 lbs	 MIN: 75X75 MAX: 200X200
 15°	 EAN 8717371444976

NM-W125BLACK

 32-52" 81-132 cm	 3.5 cm
 25 kg 55 lbs	 MIN: 100X100 MAX: 400X400
 12°	 EAN 8717371444648

NM-W345BLACK

 37-65" 94-165 cm	 3.5 cm
 35 kg 77 lbs	 MIN: 100X100 MAX: 600X400
 12°	 EAN 8717371444662

NM-W365BLACK




TILT & SWING WALL MOUNTS

THE ULTIMATE VIEWING FLEXIBILITY

NewStar tilt and swivel wall mounts are a great choice when you want the ultimate viewing flexibility with your flat screen. Pull the display out from the wall, position it in the desired position with ease and then return it flat to the wall when finished. Our wall mounts all work the industry standard VESA hole patterns. Should you wish to adjust VESA hole patterns from one size to another, then this can be achieved using our VESA adapter plates. For every screen we have a mounting solution.

 MIN: 200X200
MAX: 600X400
  17°
  5-52 cm



 32-60"
81-152 cm
  35 kg
77 lbs
  180°
  EAN
8717371444518

LED-W700SILVER



 32-75"
81-191 cm
  50 kg
110 lbs
  5°
  120°
  EAN
8717371444501

LED-W750SILVER





10-30"
25-76 cm
 MIN: 75X75
MAX: 100X100
10 kg
22 lbs
 8 cm
 35°
 160°
 EAN 8717371440497

FPMA-W75



10-30"
25-76 cm
10 kg
22 lbs
 MIN: 75X75
MAX: 100X100
 180°
 270°
 EAN 8717371440039
 11 cm

FPMA-W100



10-40"
25-102 cm
 MIN: 75X75
MAX: 200X200
25 kg
55 lbs
 30°
 180°
 EAN 8717371441296
 9 cm

FPMA-W115

10-30"
25-76 cm
 MIN: 75X75
MAX: 100X100



10 kg
22 lbs
 270°
 180°
 EAN 8717371440022
 14 cm
 180°

FPMA-W200



10 kg
22 lbs
 360°
 180°
 EAN 8717371440022
 12 cm
 180°

FPMA-W250BLACK



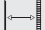


10-48 cm
9 kg
19.8 lbs
 360°
 EAN 8717371442101
 180°
 60°

FPMA-W940

 10-30"
25-76 cm
  MIN: 75X75
MAX: 100X100
  15 kg
33 lbs
  360°
  30°



 120°
 EAN 8717371443948
 9 cm

FPMA-W812

 180°
 EAN 8717371443955
 9-26 cm



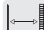
FPMA-W822

 180°
 EAN 8717371443962
 9-42 cm

FPMA-W832

 10-40"
25-102 cm
  MIN: 75X75
MAX: 200X200
  20 kg
44 lbs
  360°
  30°




 80°
 EAN 8717371443108
 9 cm

FPMA-W815

 180°
 EAN 8717371443115
 9-26 cm




FPMA-W825

 180°
 EAN 8717371443122
 9-42 cm



FPMA-W835

 10-30"
25-76 cm
  MIN: 75X75
MAX: 100X100
  180°
  180°




 12 kg
26.4 lbs
  180°
  14 cm



FPMA-W1010

 10 kg
22 lbs
  260°
  14-34 cm



FPMA-W1020

 10 kg
22 lbs
  260°
  14-54 cm

FPMA-W1030

 10-30"
25-76 cm
  MIN: 75X75
MAX: 200X200
  180°
  180°
  270°



 12 kg
26.4 lbs
  21 cm

FPMA-W910

 10 kg
22 lbs
  MIN: 75X75
MAX: 200X200
  180°
  19-46 cm

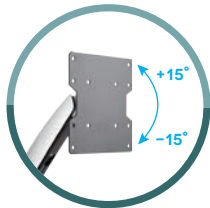
FPMA-W920

 10 kg
22 lbs
  MIN: 75X75
MAX: 200X200
  180°
  19-62 cm

FPMA-W930

WALL MOUNTS

Tilt & swing wall mounts



15° Tilting up and down



Built-in spring tension gauge



Cable management



10-30"
25-76 cm

15 kg
33 lbs

MIN: 75X75
MAX: 100X100

EAN
8717371444921

FPMA-W955



10-40"
25-102 cm

20 kg
44 lbs




MIN: 100X100
MAX: 200X200

EAN
8717371444815

FPMA-W950



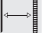
 10-30"
25-76 cm
  MIN: 75X75
MAX: 100X100
  10 kg
22 lbs
  180°
  180°



 270°
  EAN 8717371440060
  55 cm

FPMA-W500





 270°
  EAN 8717371440503
  55 cm

FPMA-W500BLACK



 270°
  EAN 8717371440053
  10-40 cm

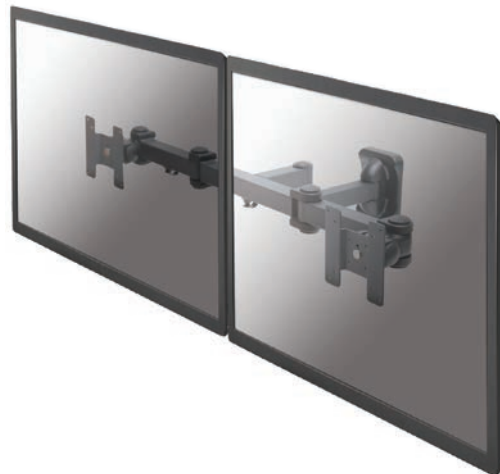
FPMA-W400

 360°
  180°



 23-52"
28-132 cm
  25 kg
55 lbs
  MIN: 100X100
MAX: 400X400
  15°
  EAN 8717371442736

FPMA-W960



 10-27"
25-69 cm
  12 kg
26.4 lbs
  MIN: 75X75
MAX: 100X100
  180°
  EAN 8717371444945

FPMA-W960D

WALL MOUNTS

Tilt & swing wall mounts



 10-40"
25-102 cm
  20 kg
44 lbs
  MIN: 75X75
MAX: 200X200
  15°
  360°



 180°
 12 cm
  EAN
8717371441548




FPMA-W915



 360°
 12-30 cm
  EAN
8717371441531

FPMA-W925



 360°
 12-45 cm
  EAN
8717371441571

FPMA-W935



10-27"
25-69 cm



MIN: 75X75
MAX: 100X100



12 kg
26.4 lbs



180°



20°



4-7 cm



EAN
8717371441234

FPMA-W810



4-7 cm



EAN
8717371443993

FPMA-W810BLACK



4-24 cm



EAN
8717371441241

FPMA-W820



4-24 cm



EAN
8717371444006

FPMA-W820BLACK



4-36 cm



EAN
8717371441258

FPMA-W830



4-36 cm

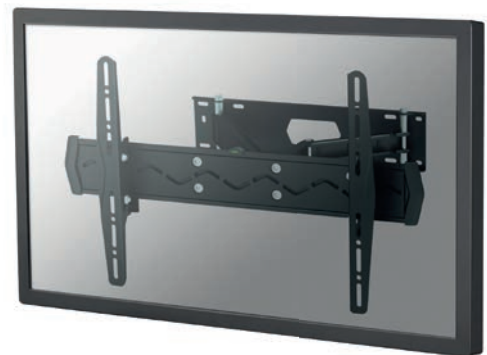
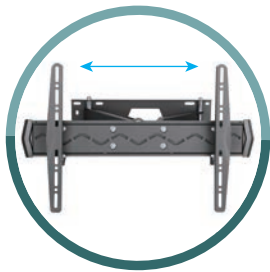
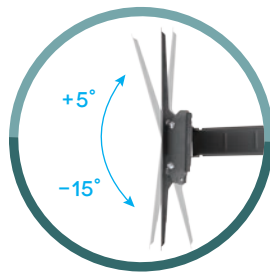
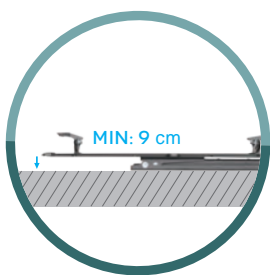
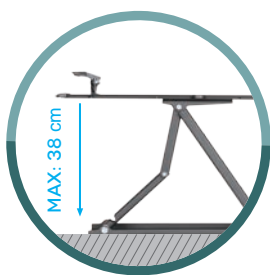


EAN
8717371444013

FPMA-W830BLACK

WALL MOUNTS

Tilt & swing wall mounts



32-75"
81-191 cm

50 kg
110 lbs

20°

MIN: 75X75
MAX: 600X400

110°

9-38 cm

EAN
8717371443009

LED-W560

 23-55"
58-140 cm
  MIN: 100X100
MAX: 400X400
  5°
  12°



 **35 kg**
77 lbs
  45°
  9.4 cm
  EAN
8717371446314

LED-W410



 **35 kg**
77 lbs
  180°
  6-28 cm
  EAN
8717371446321

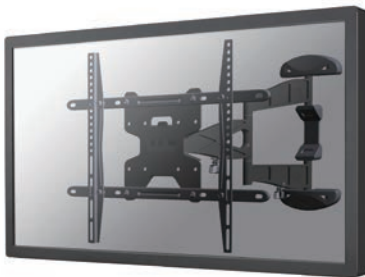
LED-W420





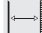



 **30 kg**
66 lbs
  180°
  6-40 cm
  EAN
8717371446260

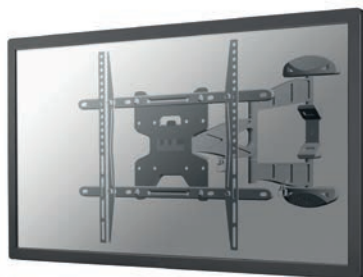
LED-W430







 MIN: 100X100
MAX: 600X400
  5°



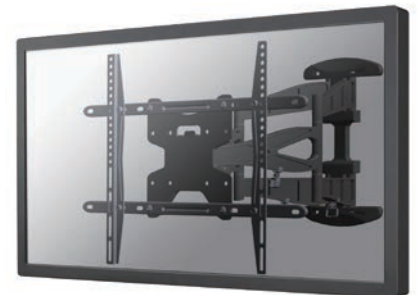
 32-60"
81-152 cm
  10°
  **30 kg**
66 lbs
  180°
  4-50 cm
  EAN
8717371443733







LED-W500



 32-60"
81-152 cm
  10°
  **30 kg**
66 lbs
  180°
  4-50 cm
  EAN
8717371443849

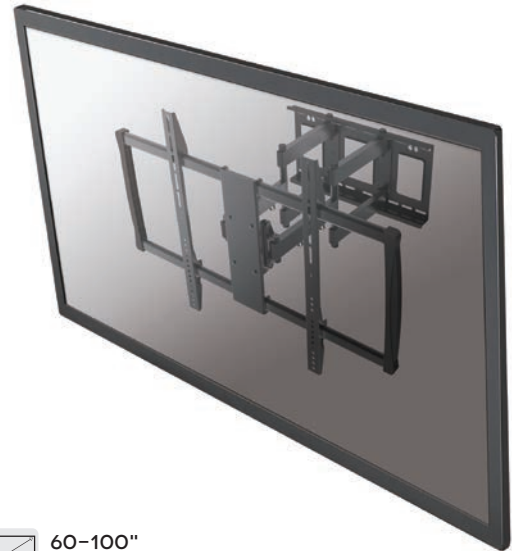
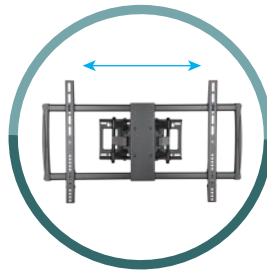
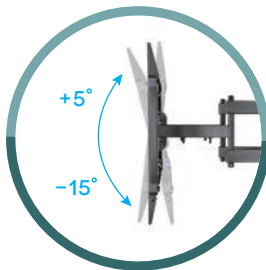
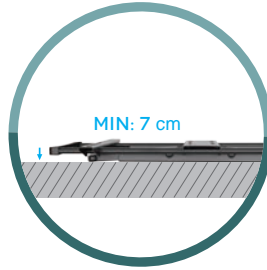
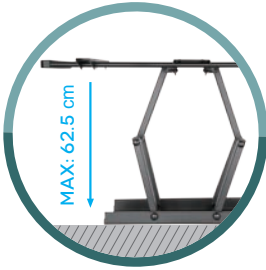
LED-W500SILVER



 32-75"
81-191 cm
  12°
  **50 kg**
110 lbs
  120°
  5-50 cm
  EAN
8717371440565

LED-W550





60-100"
152-254 cm

100 kg
220 lbs

7-62.5 cm

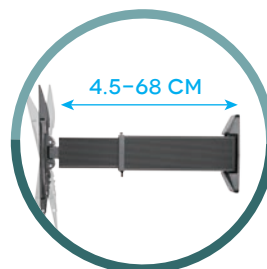
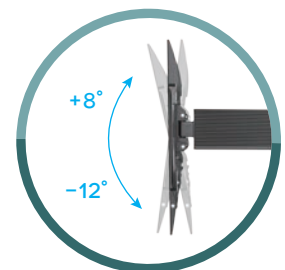
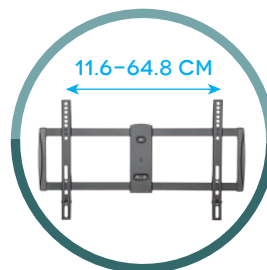
90°

10°

MIN: 200X200
MAX: 900X600

EAN
871737144547

LFD-W8000



37-70"
94-178 cm

40 kg
88 lbs

MIN: 200X200
MAX: 600X400

6°

180°








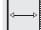
4-68 cm

20°









EAN
8717371445799

LED-W800BLACK



 10-32" 25-81 cm	 15 kg 33 lbs
 180°	 20°
 MIN: 75X75 MAX: 200X200	 6°
 EAN 8717371445812	 5-21 cm

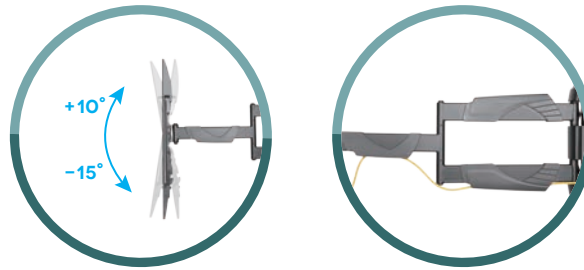
NM-W115BLACK






 10-32" 25-81 cm	 15 kg 33 lbs
 180°	 20°
 MIN: 75X75 MAX: 200X200	 5°
 EAN 8717371444822	 5-37 cm

NM-W225BLACK

 23-52" 58-132 cm	 25 kg 55 lbs
 180°	 12°
 MIN: 100X100 MAX: 400X400	 6°
 EAN 8717371444624	 4-16 cm






NM-W325BLACK



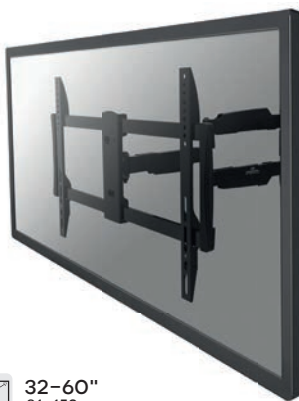
 **23-52"**
28-132 cm
 **MIN: 75X75**
MAX: 400X400
 **25 kg**
55 lbs
 **EAN**
8717371444525
  **4-51 cm**






NM-W440BLACK



 **23-52"**
28-132 cm
 **MIN: 75X75**
MAX: 400X400
 **25 kg**
55 lbs
 **EAN**
8717371444532
  **4-51 cm**






NM-W440WHITE



 **32-60"**
81-152 cm
 **MIN: 200X200**
MAX: 600X400
 **30 kg**
66 lbs
 **EAN**
8717371444549
  **5-61 cm**

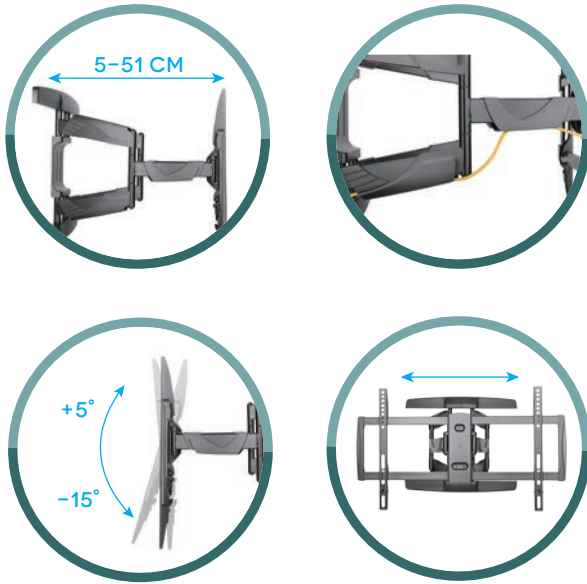
NM-W460BLACK



 **32-60"**
81-152 cm
 **MIN: 200X200**
MAX: 600X400
 **30 kg**
66 lbs
 **EAN**
8717371444723
  **5-61 cm**

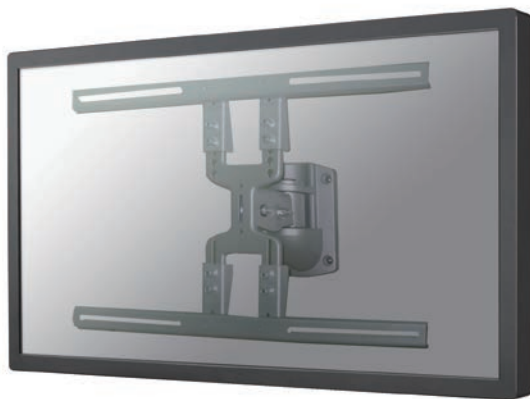
NM-W460WHITE




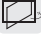







-  32-65"
81-165 cm
-  40 kg
88 lbs
-  5-51 cm
-  5°
-  MIN: 200X200
MAX: 600X400
-  120°
-  20°
-  EAN
8717371444679

NM-W475BLACK



-  32-60"
81-152 cm
-  35 kg
77 lbs
-  MIN: 200X200
MAX: 600X400
-  180°
-  25°
-  EAN
8717371441746
-  18 cm

PLASMA-W115



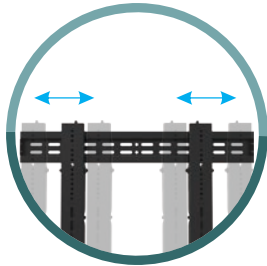
VIDEO WALL MOUNTS

FOR LARGE FORMAT DIGITAL SIGNAGE REQUIREMENTS

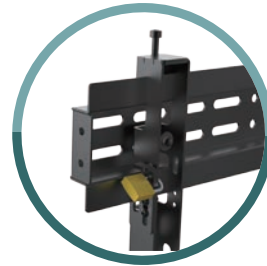
Create a clean design presentation with NewStars' video wall mount solutions. Our video wall mounts are specifically designed for video walls. The screen can be away from the wall, allowing for quick release for access: lateral shift brackets enable quick alignment when installing the video wall mount.



Protects displays with protection caps



Easy alignment



Anti-theft design



Built-in screen level



Quick locking system



Easy pop-out

 32-75" 81-190 cm	 50 kg 110 lbs	 MIN: 200X200 MAX: 600X400	 5-20 cm
---	--	--	---



EAN
8717371444419

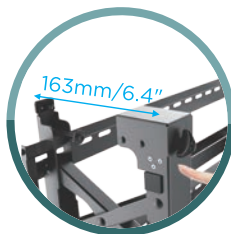
LED-VW1000BLACK



Pop-out lock system



Lock and unlock within seconds



Pop-out extension



Tilt adjustment handle



Kick-stand design



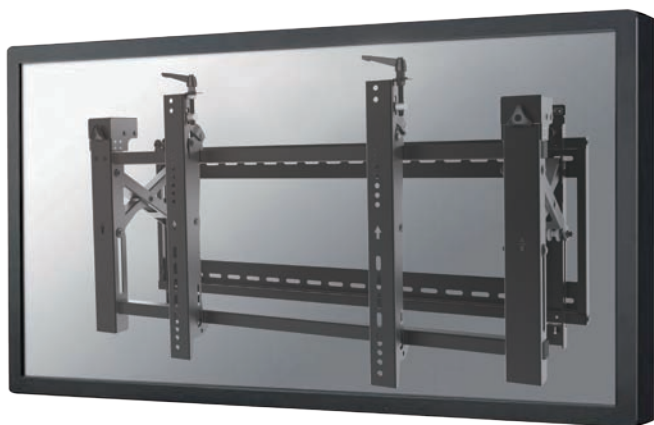
Vertical height adjustment



Anti-theft design



Rotary adjusting knob



32-75"
81-190 cm

12-30 cm

EAN
8717371445522

MIN: 200X200
MAX: 600X400

70 kg
154 lbs

LED-VW2000BLACK



WALL MOUNT ACCESSORIES

INCREASE THE OPTIONS FOR YOUR WALL MOUNT

Do you need more functionality from your mount, such as placing a digital box under or above a mount, or need more vertical movement, or need to extend the height? Our wide range of mount accessories open up many more options to tailor each mount to your specific needs. Check out the possibilities on offer!



10-30"
25-76 cm
 MIN: 75X75
MAX: 100X100
 180°
 EAN 8717371442897
 180°
 360°
 10 kg
22 lbs

FPMA-WP200BLACK

23-52"
58-132 cm
 MIN: 75X75
MAX: 400X400
 180°
 EAN 8717371446505
 180°
 360°
 25 kg
55 lbs

FPMA-WP440BLACK

COMPATIBLE WITH:

- FPMA-DTBW200
- FPMA-DTBW910
- FPMA-DTBW940

10-24"
25-61 cm
 MIN: 75X75
MAX: 100X100
 30 kg
66 lbs
 EAN 8717371442422

FPMA-WTB100

MIN: 100X100
MAX: 400X400
 10 kg
22 lbs
 EAN 871737144488

NS-SHELF100

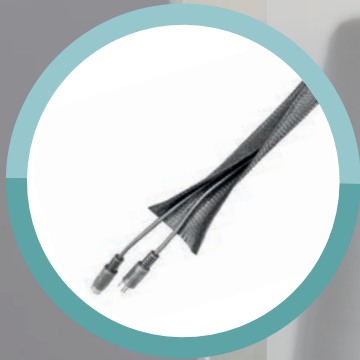


ACCESSORIES



ADAPTER PLATES

PAGE 131~133



CABLES & CABLE COVERS

PAGE 134



LOCK

PAGE 134



ADAPTER PLATES


WHEN YOUR FLAT SCREEN NEEDS A DIFFERENT HOLE PATTERN


Our mounts all work the industry standard VESA hole patterns. Should you require to adjust the VESA hole patterns from one size to another, then this can be achieved using our adapter plates.



 10-30"
25-76 cm

 **8 kg**
17.6 lbs

 0-17.7 cm


 MIN: 75X75
MAX: 100X100


 EAN
8717371446062

FPMA-LIFT100BLACK

 10-27"
25-69 cm

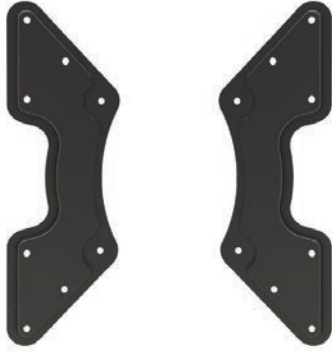
 **12 kg**
26.4 lbs








 0-15 cm

 MIN: 75X75
MAX: 100X100

 EAN
8717371444389

FPMA-LIFT100










 MIN: 200X200
 MAX: 400X400
 27-60"
 69-152 cm
 EAN 8717371444716
 35 kg
 77 lbs
FPMA-VESA440









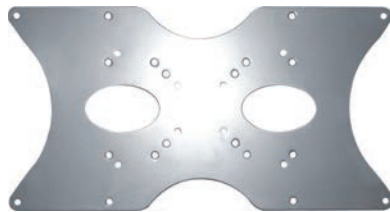
 MIN: 75X75
 MAX: 100X100
 10-30"
 25-76 cm
 EAN 8717371440213
 25 kg
 55 lbs
FPMA-VESA100








 MIN: 100X100
 MAX: 100X200
 25 kg
 55 lbs
 EAN 8717371442309
 10-32"
 25-81 cm
FPMA-VESA120





 MIN: 50X50
 MAX: 200X200
 22-42"
 59-107 cm
 EAN 8717371441302
 35 kg
 77 lbs
FPMA-VESA200



 MIN: 50X50
 MAX: 400X200
 22-52"
 59-138 cm
 EAN 8717371441678
 35 kg
 77 lbs
FPMA-VESA400



 MIN: 100X100
 MAX: 400X400
 10-32"
 25-81 cm
 EAN 8717371442309
 25 kg
 55 lbs
FPMA-VESA425

ACCESSORIES

Adapter plates

LINE DRAWINGS PAGE 167/168



MIN: 75X75
MAX: 100X100

EAN 8717371445546

15 kg
33 lbs

FPMA-VESAMAC2127



MIN: 75X75
MAX: 75X75

EAN 8717371443726

15 kg
33 lbs

FPMA-VESAMAC



MIN: 75X75
MAX: 100X100

EAN 8717371445539

10-27"
25-69 cm

8 kg
17.6 lbs

FPMA-VESANON



MIN: 600X450
MAX: 800X450

EAN 8717371444167

27-60"
69-152 cm

50 kg
110 lbs

FPMA-VESA800

Hardware kit for
Sony W series TV



M5X50 BOLTS 2 pcs
M6X55 BOLTS 2 pcs
SQUARE SPACERS 4 pcs
WASHERS(L=20MM) 4 pcs

EAN 8717371444983

HWKS-100



Width : 10 cm
Height : 200 cm

EAN
8717371444112

NS-CS200BLACK



CABLES & CABLE COVERS

KEEPING IT NICE AND TIDY

To finish off an installation, why not use our cable covers to hide away any unwanted cables from view. Should you require longer lengths then combine them together and also cut the length as per your requirements.



EAN
8717371444716

NS-CC050SILVER



1 METER (3FT)

HDMI3MM

EAN
8717371444750

1.8 METER (6FT)

HDMI6MM

EAN
8717371442668

3 METER (10FT)

HDMI10MM

EAN
8717371442675

5 METER (15FT)

HDMI15MM

EAN
8717371442682

7.5 METER (25FT)

HDMI25MM

EAN
8717371445133

10 METER (35FT)

HDMI35MM

EAN
8717371442743

HDMI 19PIN MALE ATO HDMI 19PIN MALE WITH ETHERNET, 1080P



EAN
8717371440749

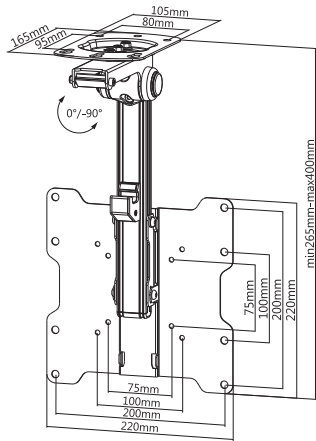
NSVGALOCK

LOCK

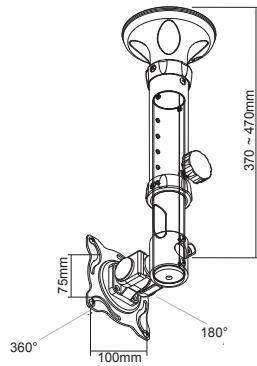
SECURE YOUR HARDWARE

Protect your hardware with our VGA lock and reduce the chances of theft. NewStar's security lock allows you to secure all hardware using a VGA port. This system prevents theft of your valuable hardware using a super strong two meter steel cable with combination lock. Simply install the cable to the VGA port and loop around a desk or other heavy subject to reduce the chances of theft. The VGA lock splits your VGA port allowing you to keep using the VGA port with the lock in place.

LINE DRAWINGS

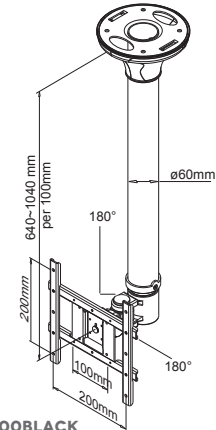


FPMA-C020BLACK



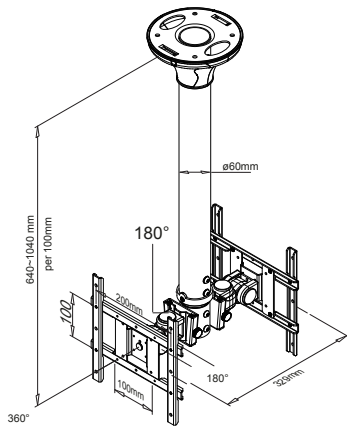
FPMA-C025SILVER

FPMA-C025BLACK

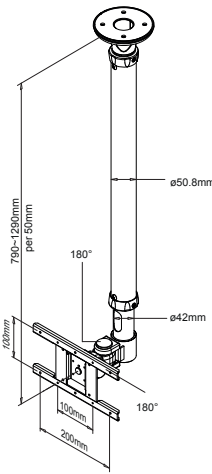


FPMA-C200BLACK

FPMA-C200

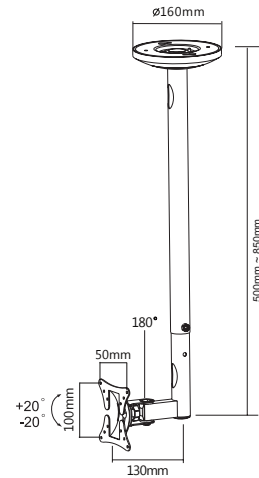


FPMA-C200D



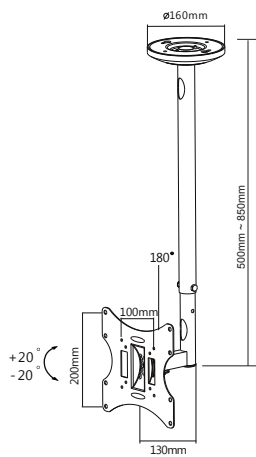
FPMA-C100SILVER / FPMA-C100WHITE

FPMA-C100

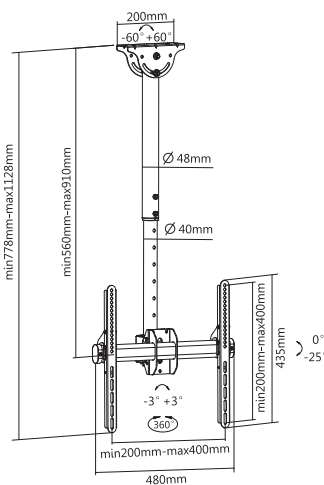


FPMA-C050SILVER

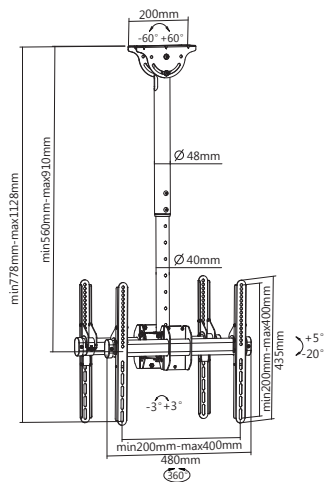
FPMA-C050BLACK



FPMA-C060BLACK

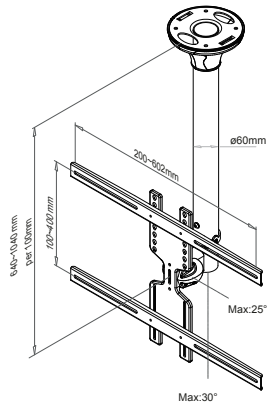


NM-C440BLACK

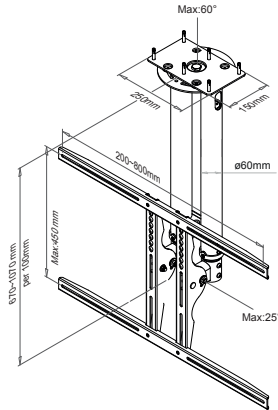


NM-C440DBLACK

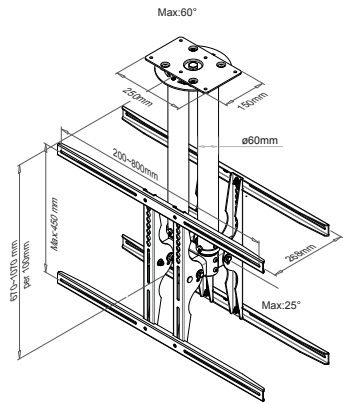
LINE DRAWINGS



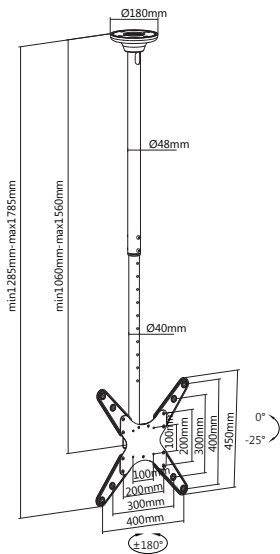
FPMA-C400SILVER
FPMA-C400BLACK



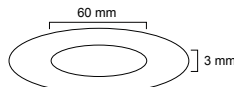
PLASMA-C100BLACK
PLASMA-C100



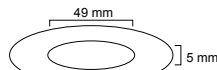
PLASMA-C100D



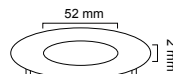
FPMA-C340BLACK



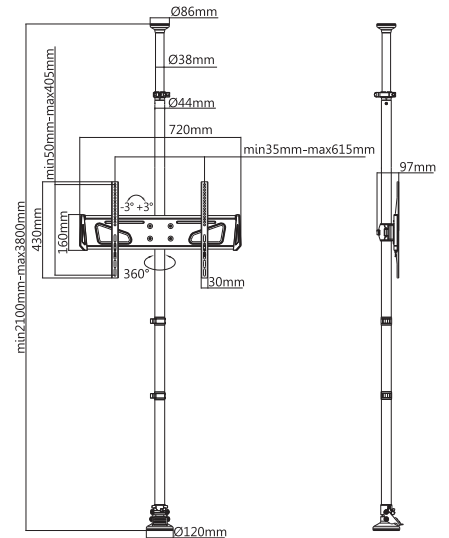
FPMA-CRS6 / FPMA-CRW6
FPMA-CRB6



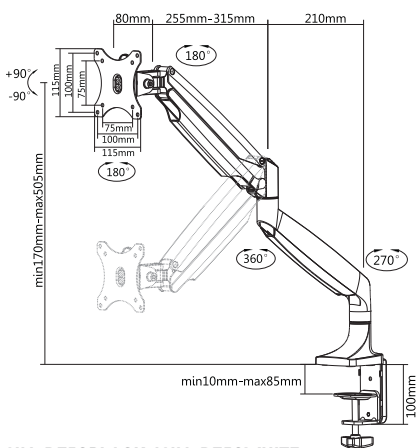
FPMA-CRW5HM
FPMA-CRB5HM



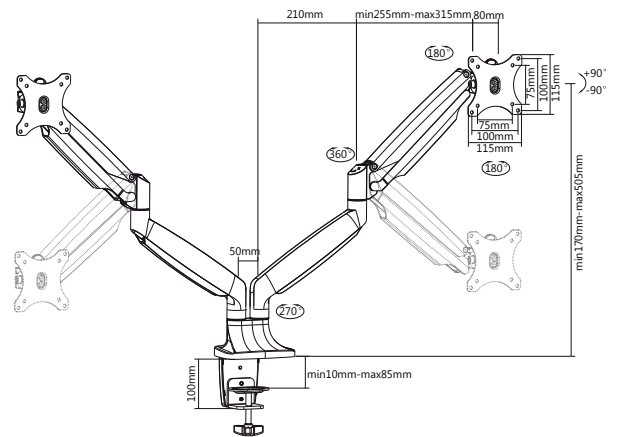
FPMA-CRS5 / FPMA-CRW5
FPMA-CRB5



FPMA-CF250XTBLACK
FPMA-CF250BLACK



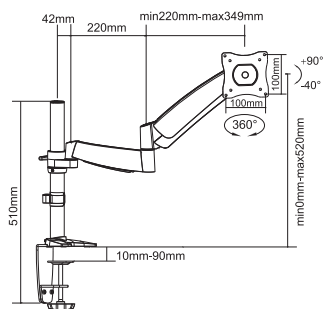
NM-D750BLACK / NM-D750WHITE
NM-D750SILVER



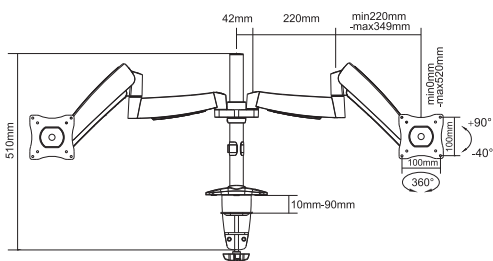
NM-D750DBLACK / NM-D750DWHITE
NM-D750DSILVER



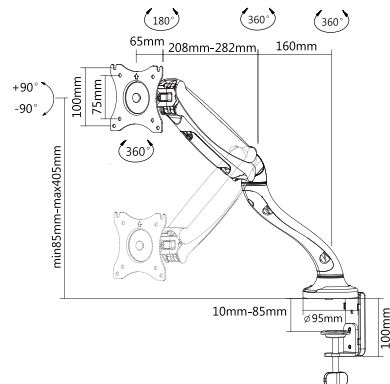
LINE DRAWINGS



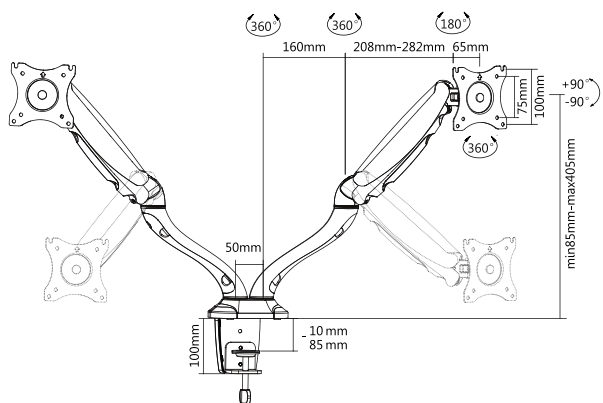
FPMA-D950BLACK
FPMA-D950



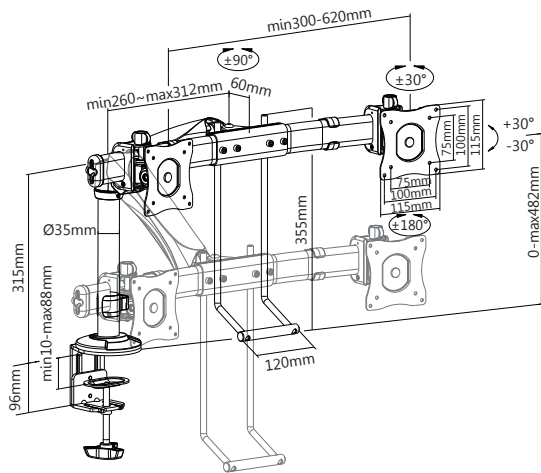
FPMA-D950DBLACK
FPMA-D950D



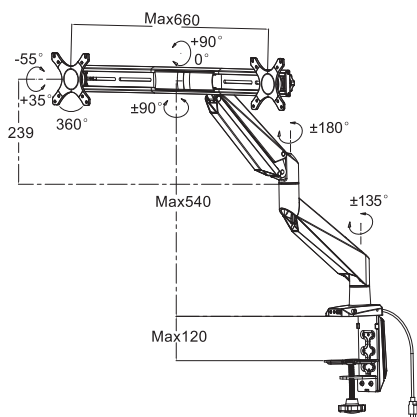
NM-D500BLACK



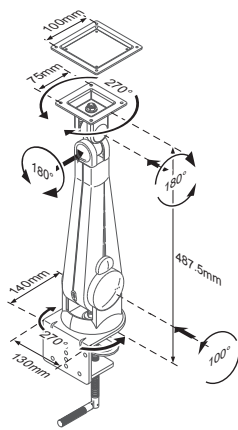
NM-D500DBLACK



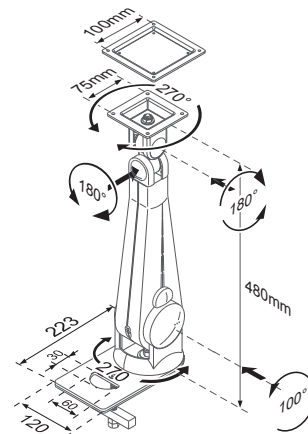
FPMA-D500DHBLACK



FPMA-D725DXSILVER
NM-D750DXSILVER

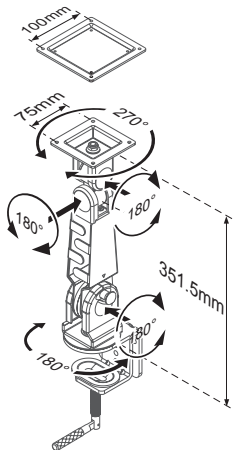


FPMA-D100BLACK
FPMA-D100

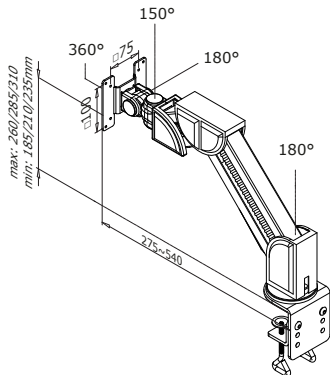


FPMA-D200BLACK
FPMA-D200

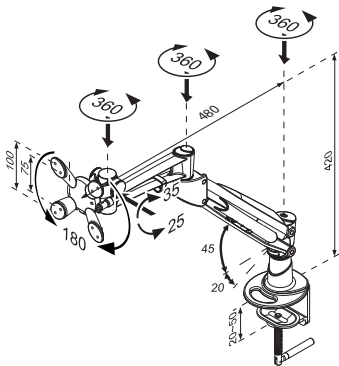
LINE DRAWINGS



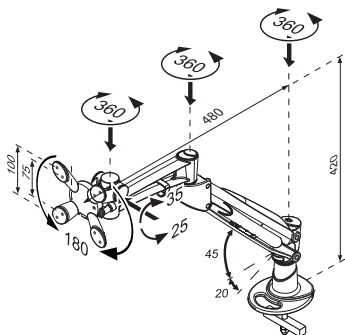
FPMA-D400



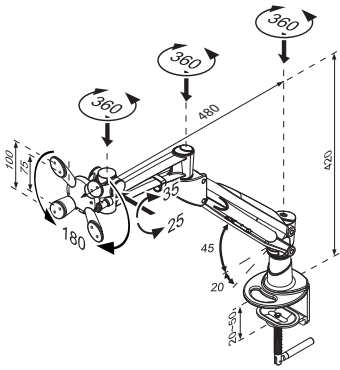
FPMA-D600BLACK
FPMA-D600



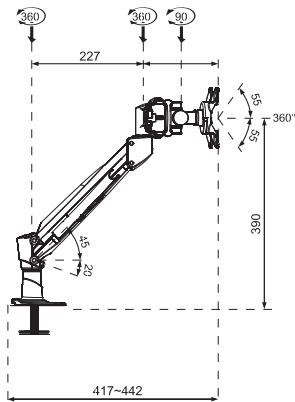
FPMA-D940



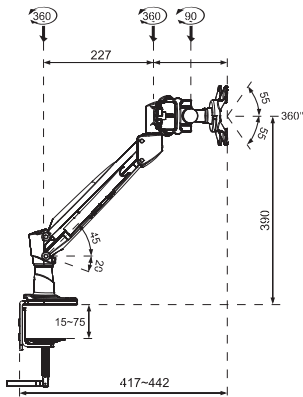
FPMA-D940G



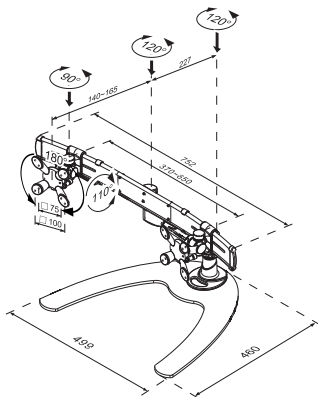
FPMA-D940HC



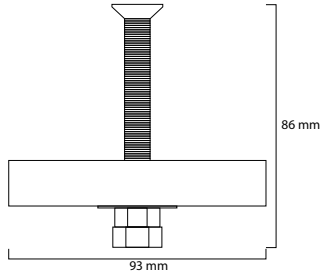
FPMA-D940DG



FPMA-D940D



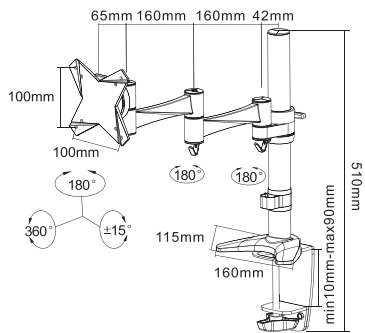
FPMA-D940DD



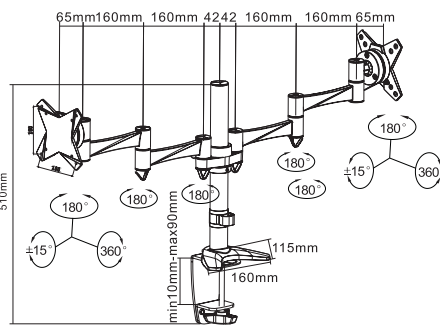
FPMA-D940GROMMET



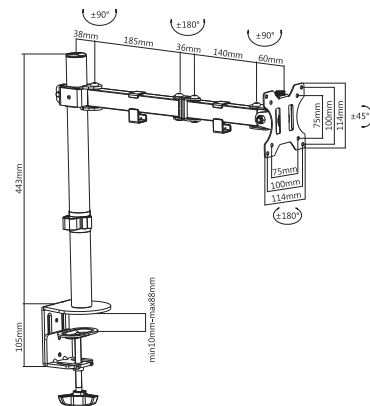
LINE DRAWINGS



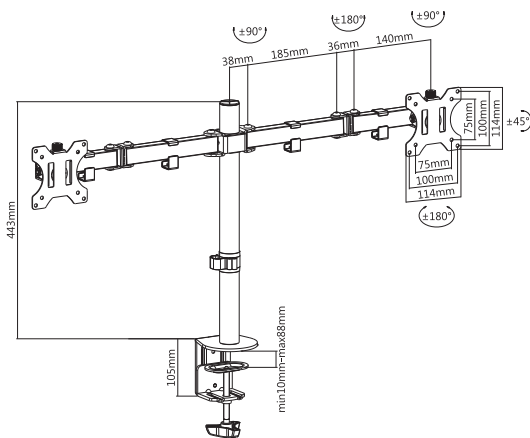
FPMA-D1330SILVER / FPMA-D1330WHITE
FPMA-D1330BLACK



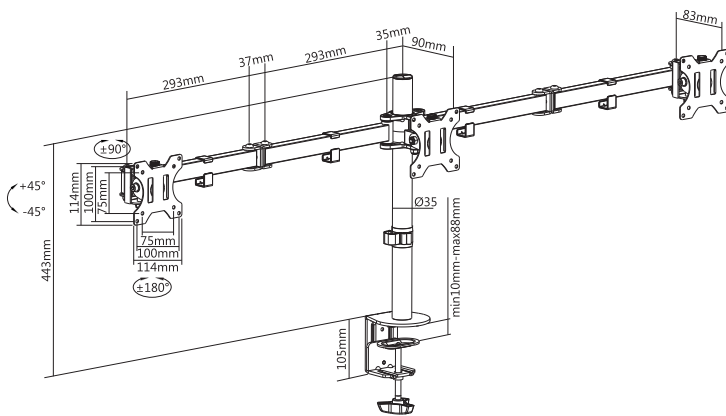
FPMA-D1330DSILVER / FPMA-D1330DWHITE
FPMA-D1330DBLACK



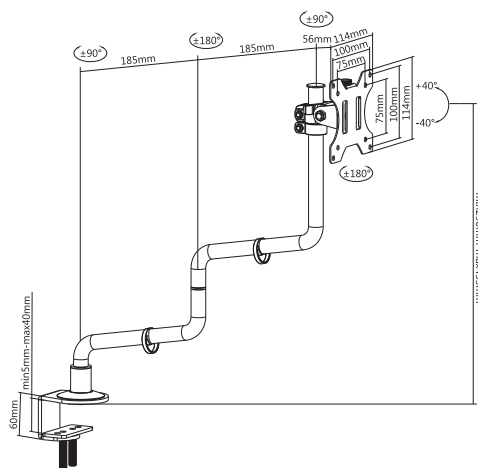
FPMA-D550BLACK



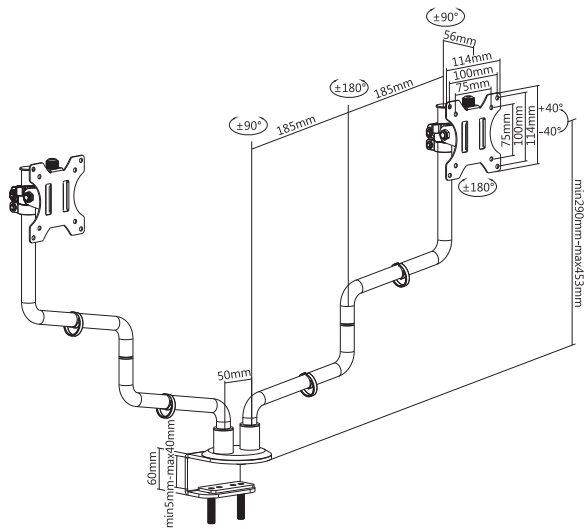
FPMA-D550BLACK



FPMA-D550D3BLACK

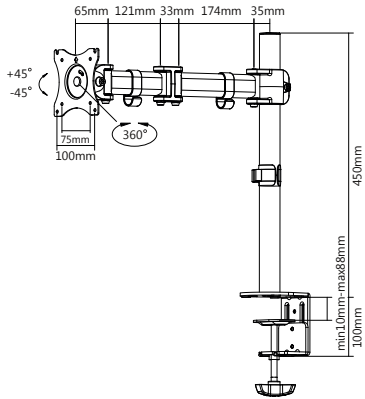


FPMA-D010BLACK

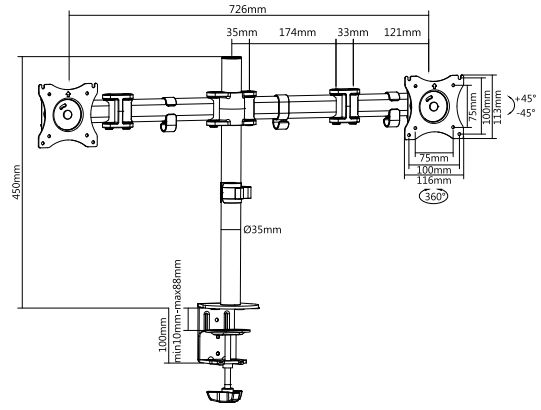


FPMA-D010DBLACK

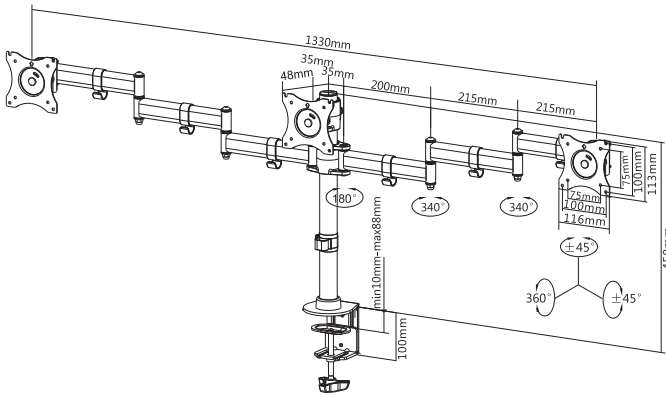
LINE DRAWINGS



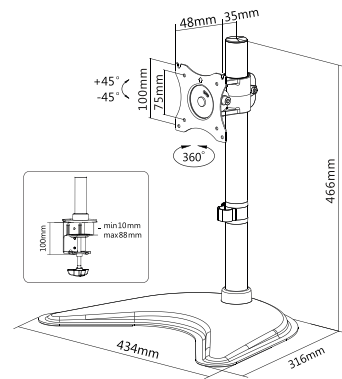
NM-D135SILVER / NM-D135WHITE
NM-D135BLACK



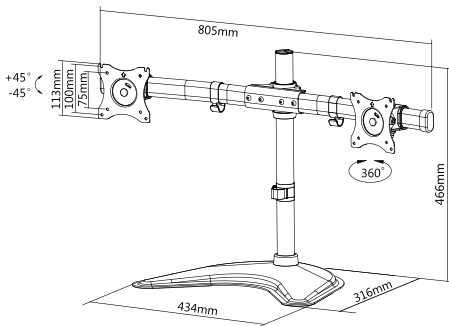
NM-D135DSILVER / NM-D135DWHITE
NM-D135DBLACK



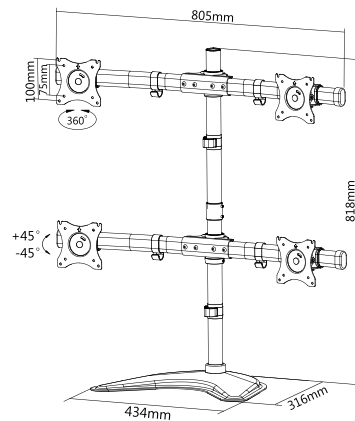
NM-D135D3BLACK



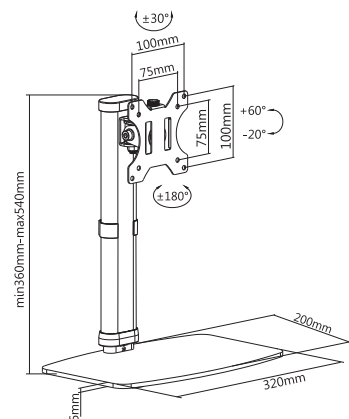
NM-D335BLACK



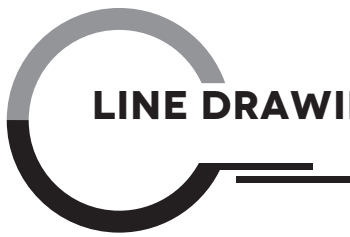
NM-D335DBLACK



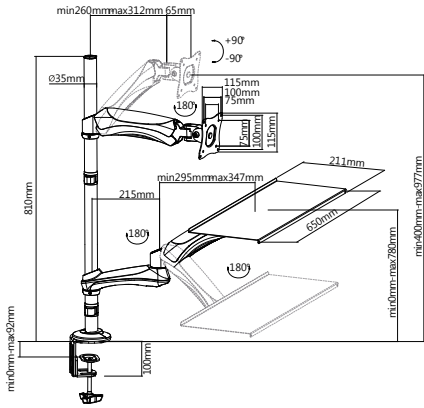
NM-D335D4BLACK



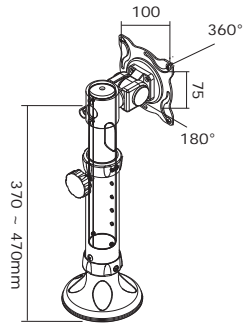
FPMA-D890WHITE
FPMA-D890BLACK



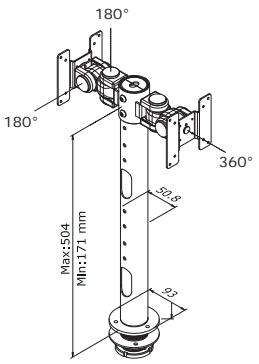
LINE DRAWINGS



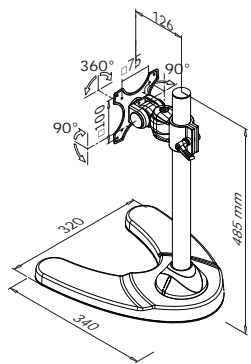
FPMA-D500KEYB



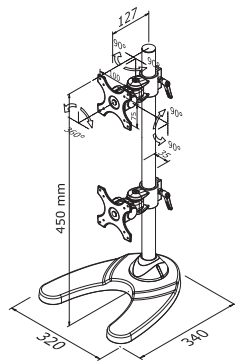
FPMA-DO25SILVER
FPMA-DO25BLACK



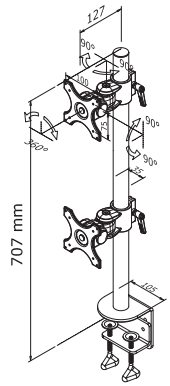
FPMA-DO50DBLACK



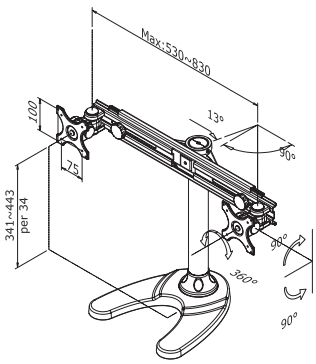
FPMA-D700



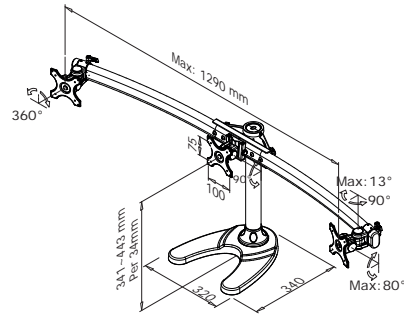
FPMA-D700DDV



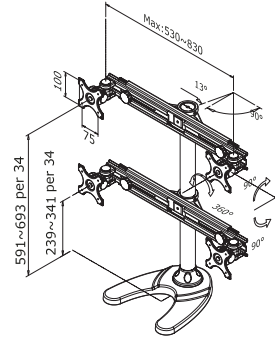
FPMA-D700DV



FPMA-D700DD

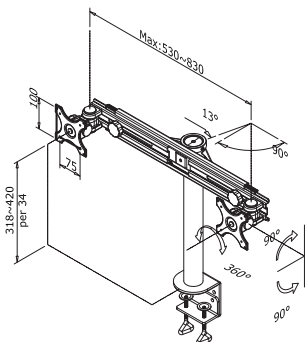


FPMA-D700DD3

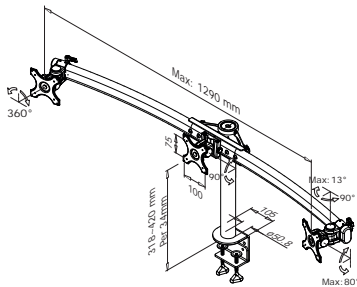


FPMA-D700DD4

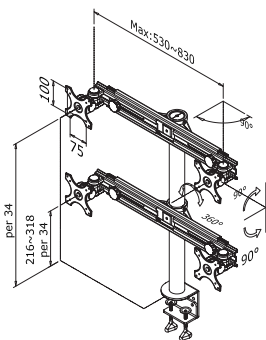
LINE DRAWINGS



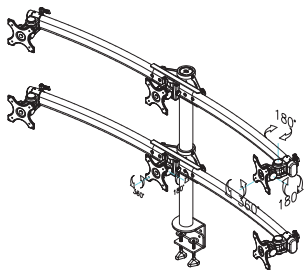
FPMA-D700D



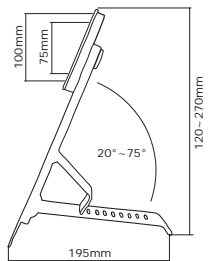
FPMA-D700D3



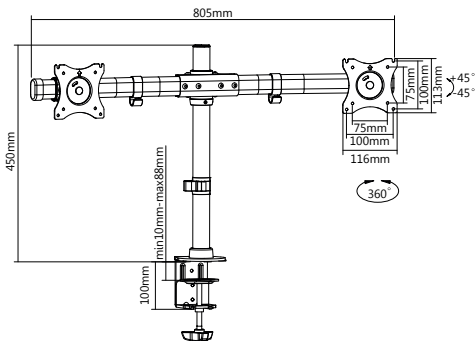
FPMA-D700D4



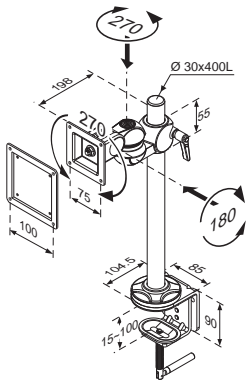
FPMA-D700D6



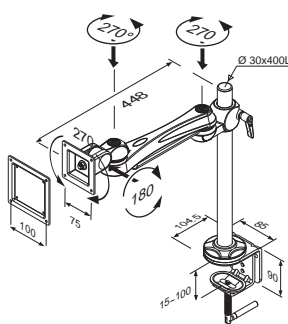
FPMA-D825BLACK



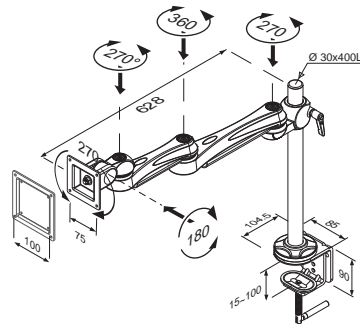
FPMA-DCB100DBLACK



FPMA-D910



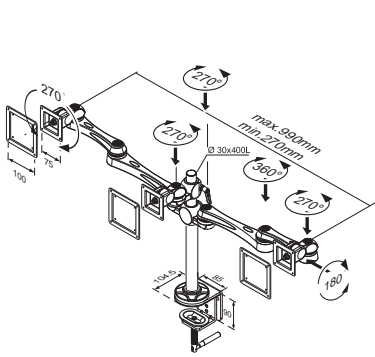
FPMA-D920



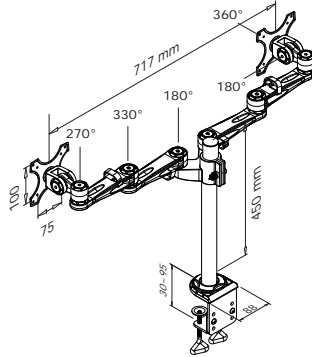
FPMA-D930



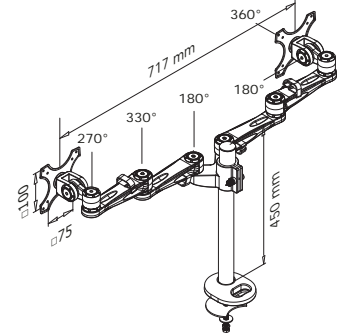
LINE DRAWINGS



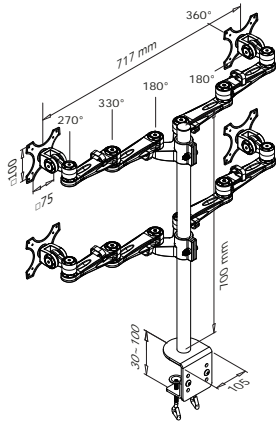
FPMA-D930D



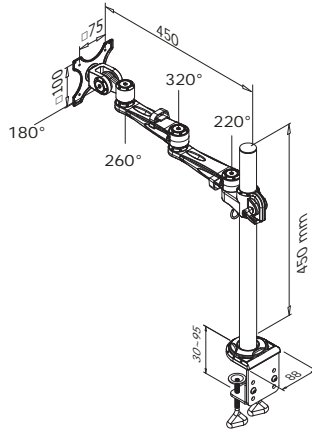
FPMA-D935D



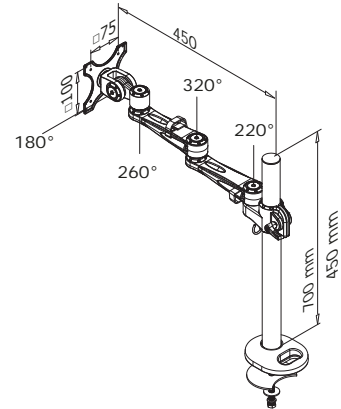
FPMA-D935DG



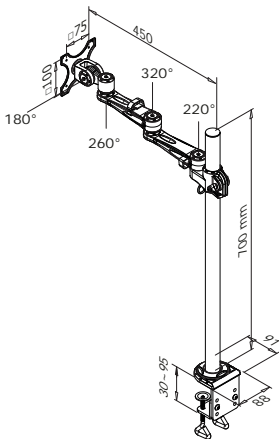
FPMA-D935D4



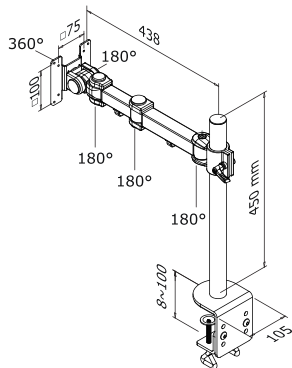
FPMA-D935



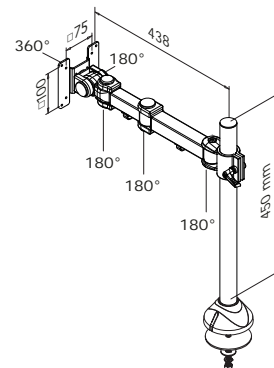
FPMA-D935G



FPMA-D935POLE70

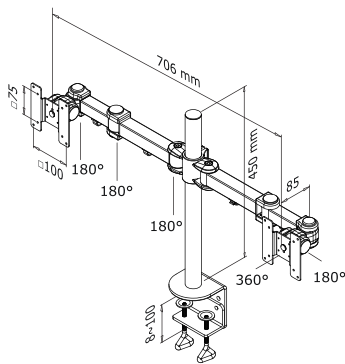


FPMA-D960

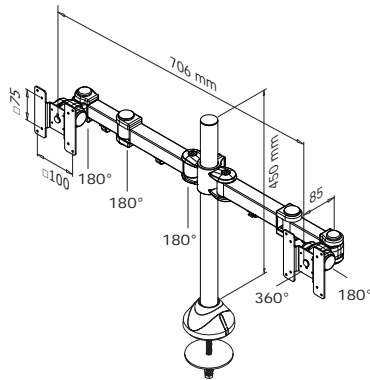


FPMA-D960G

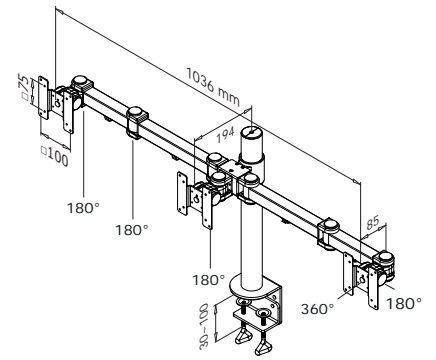
LINE DRAWINGS



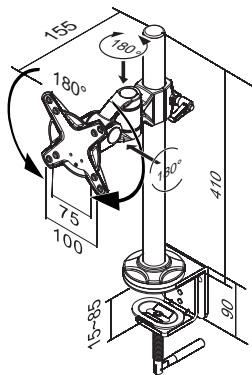
FPMA-D960D



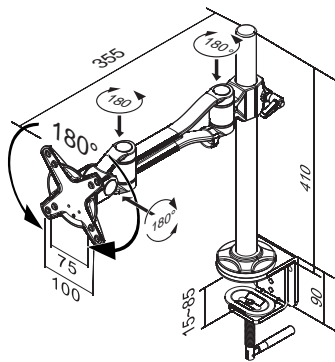
FPMA-D960DG



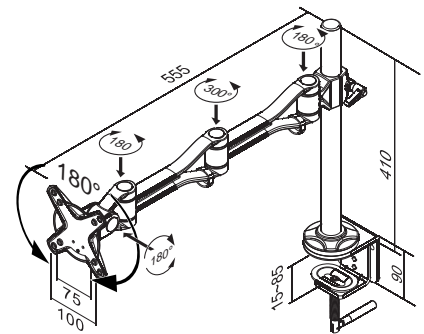
FPMA-D960D3



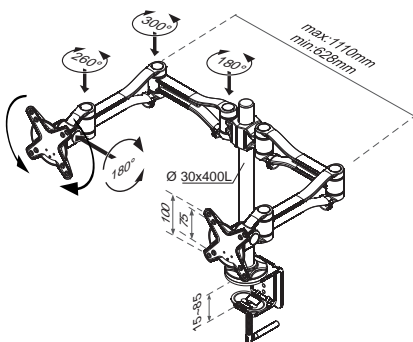
FPMA-D1010



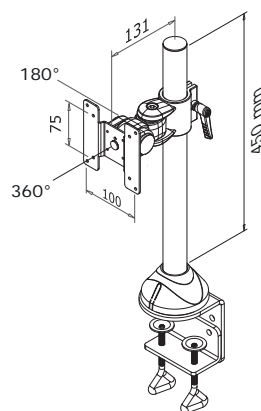
FPMA-D1020



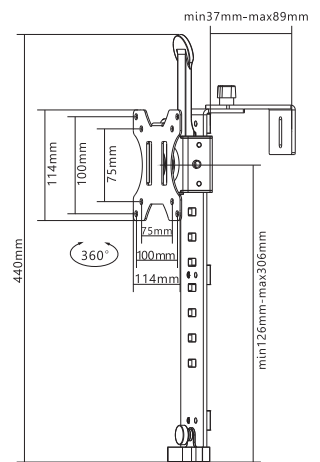
FPMA-D1030



FPMA-D1030D

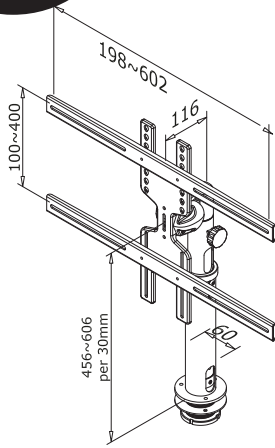


FPMA-D965

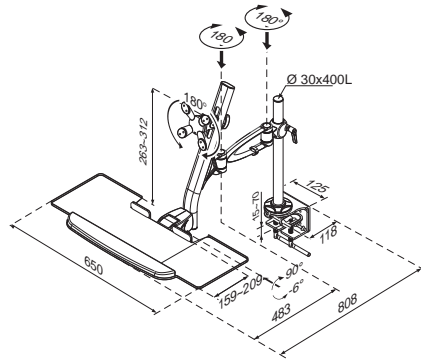


FPMA-CH100BLACK

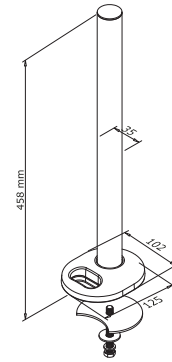
LINE DRAWINGS



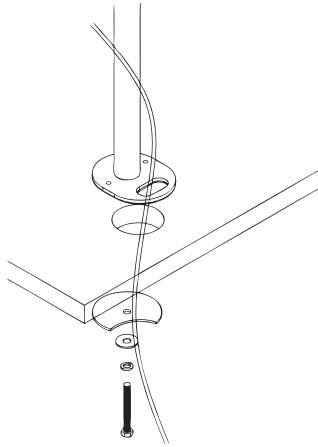
FPMA-D1200BLACK



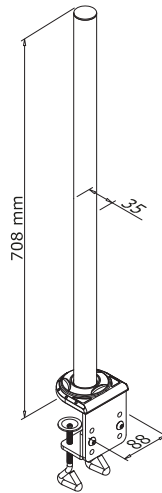
FPMA-D1020KEYB



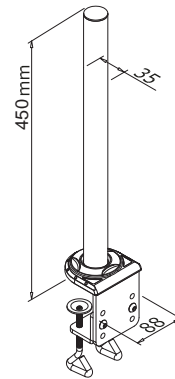
FPMA-D935GROMMET



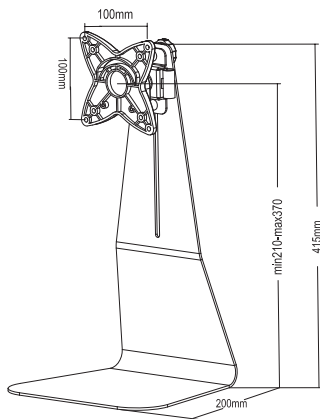
FPMA-D960GROMMET



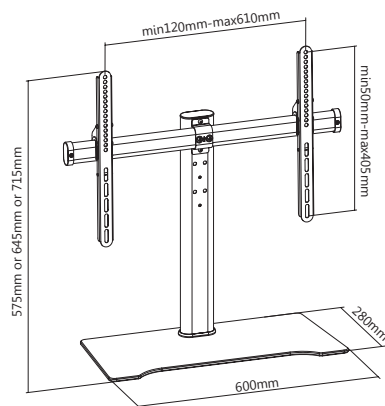
FPMA-D935POLE



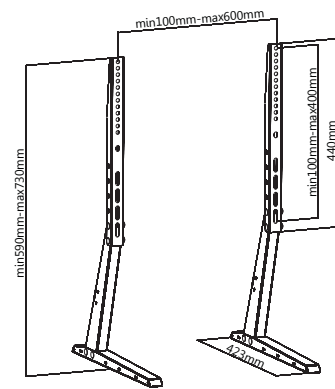
FPMA-D935POLE40



FPMA-D850BLACK
FPMA-D800

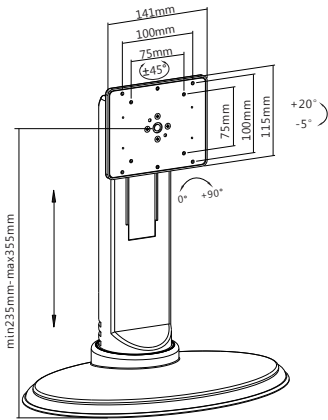


FPMA-D1250BLACK

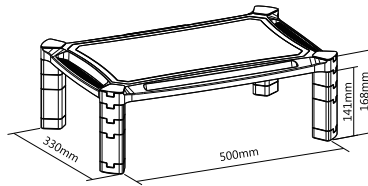


FPMA-D1240BLACK

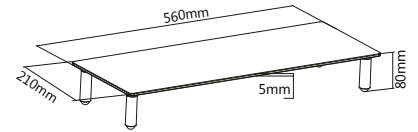
LINE DRAWINGS



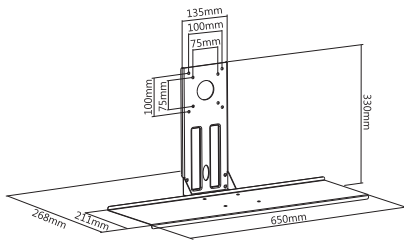
FPMA-D875BLACK



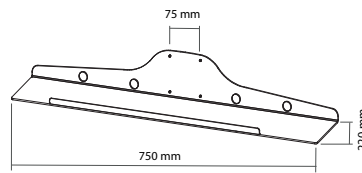
NSMONITOR20



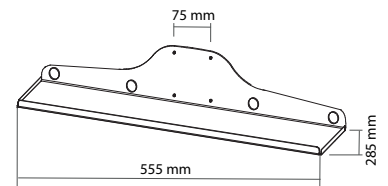
NSMONITOR10



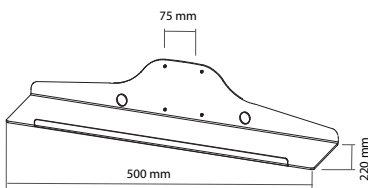
KEYB-V200BLACK



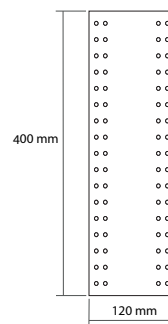
KEYB-V100



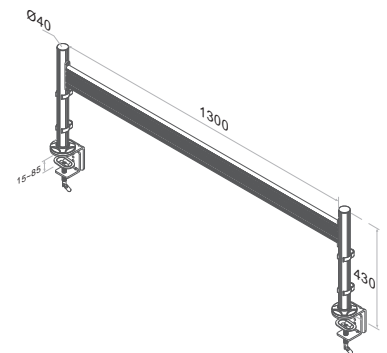
KEYB-V550LAPTOP



KEYB-V050

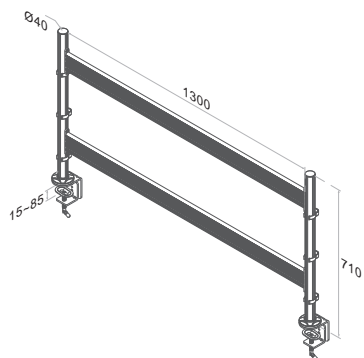


KEYB-V100RACK

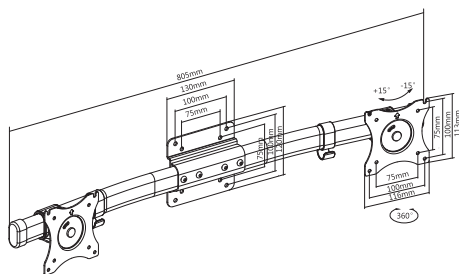


FPMA-DTB100

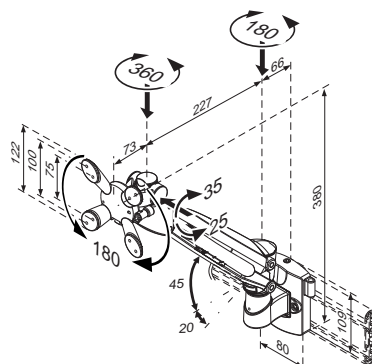
LINE DRAWINGS



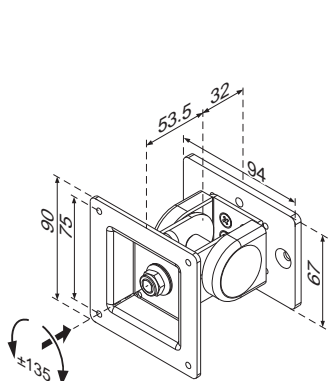
FPMA-DTB200



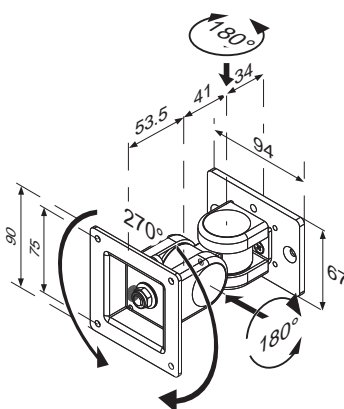
FPMA-CB100BLACK



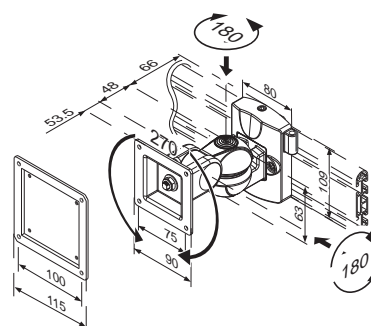
FPMA-DTBW940



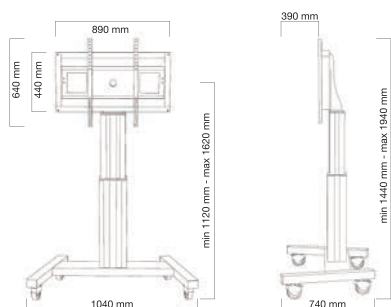
FPMA-DTBW100



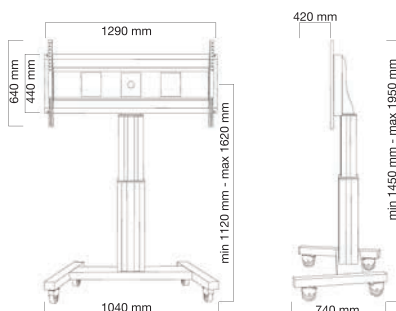
FPMA-DTBW200



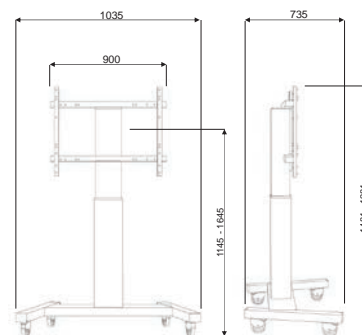
FPMA-DTBW910



PLASMA-M2500SILVER
PLASMA-M2500BLACK

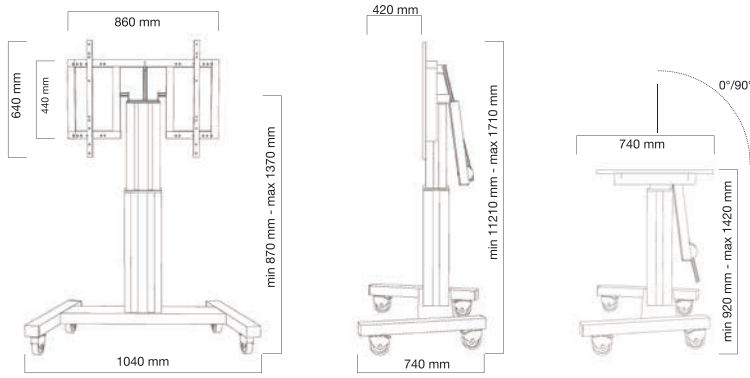


PLASMA-M2500SILVERMS
PLASMA-M2500BLACKMS



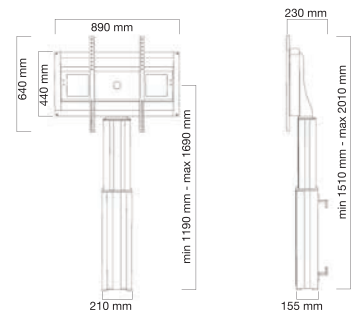
PLASMA-M2250SILVER

LINE DRAWINGS



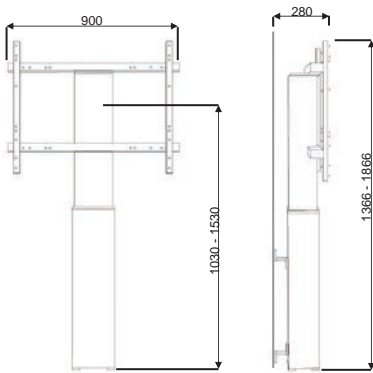
PLASMA-M2500TBLACK

PLASMA-M2500TSILVER

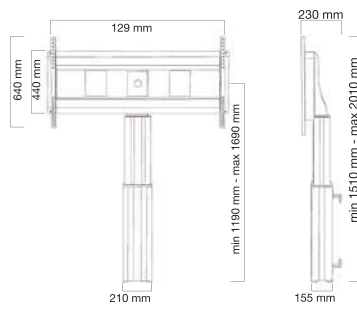


PLASMA-W2500SILVER

PLASMA-W2500BLACK

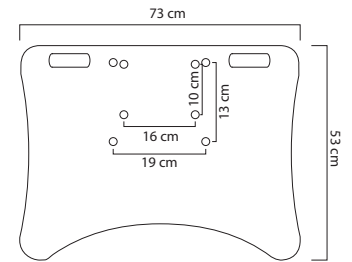


PLASMA-W2250SILVER

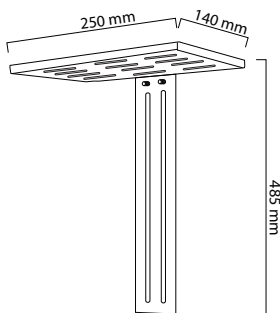


PLASMA-W2500SILVERMS

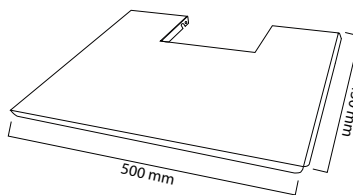
PLASMA-M2500BLACKMS



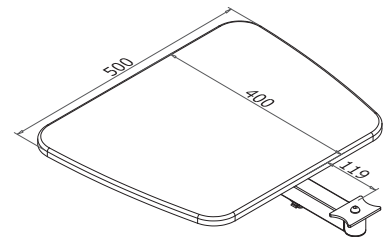
PLASMA-M2500FPLATE



PLASMA-M2500CAMSHelf



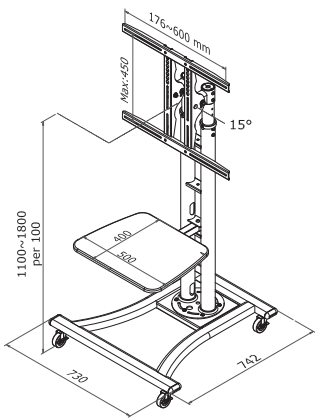
PLASMA-M2500LAPSHelf



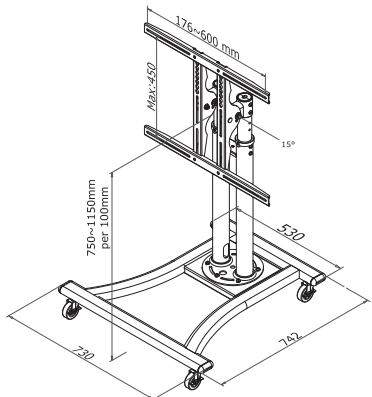
PLASMA-ME-SHelf



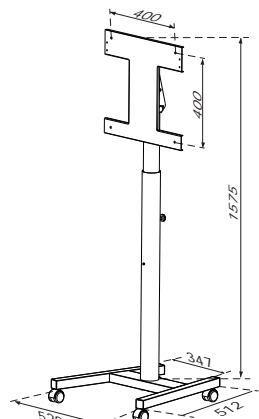
LINE DRAWINGS



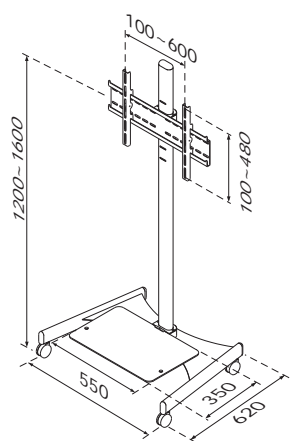
PLASMA-M1800E



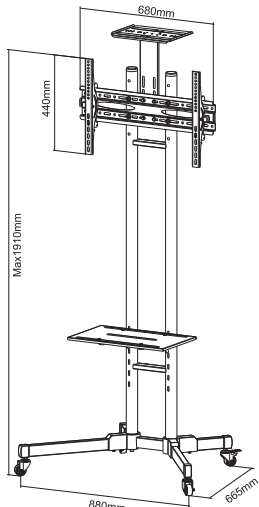
PLASMA-M1200



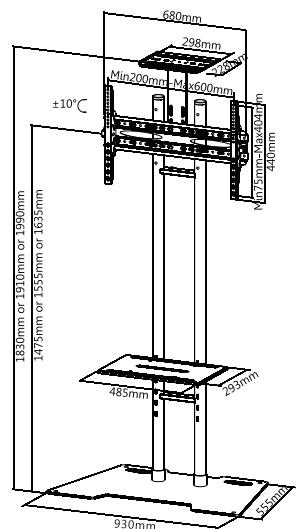
PLASMA-M1400



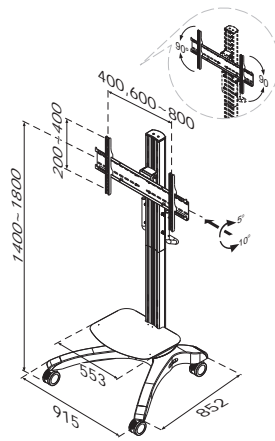
PLASMA-M1600



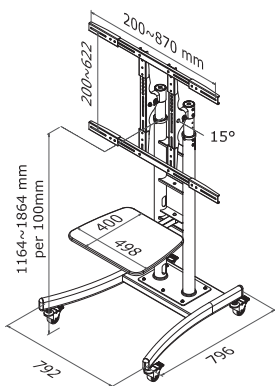
PLASMA-M1700E



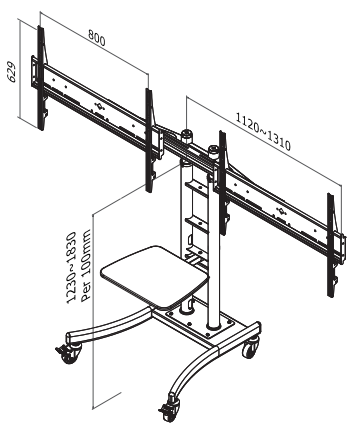
PLASMA-M1700ES



PLASMA-M2000

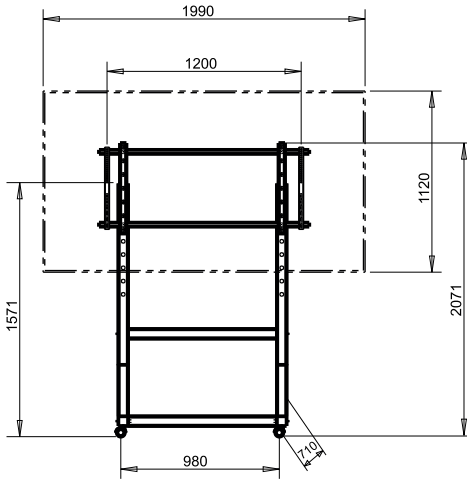


PLASMA-M2000E

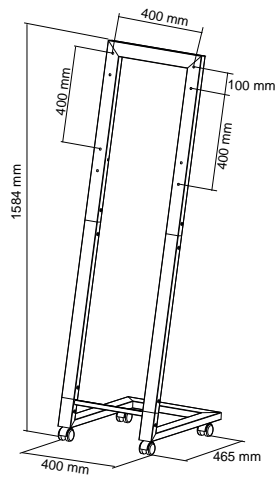


PLASMA-M2000ED

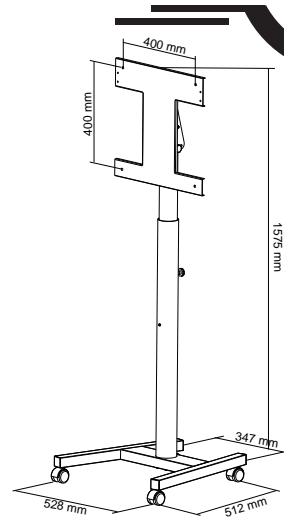
LINE DRAWINGS



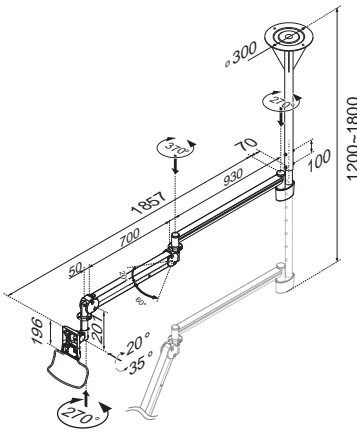
PLASMA-M3000E



NS-SKM100WHITE

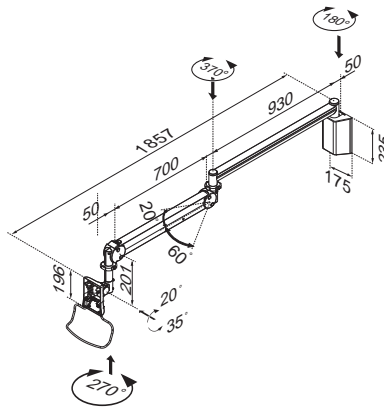


NS-SKM300WHITE



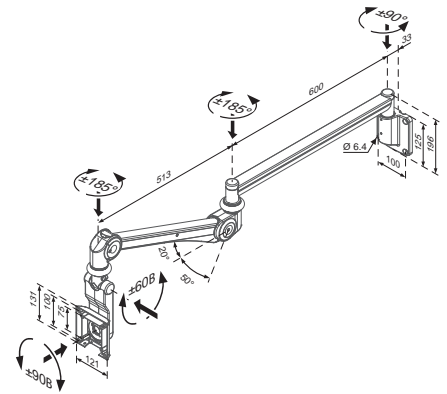
FPMA-HAC100HC

FPMA-HAC100

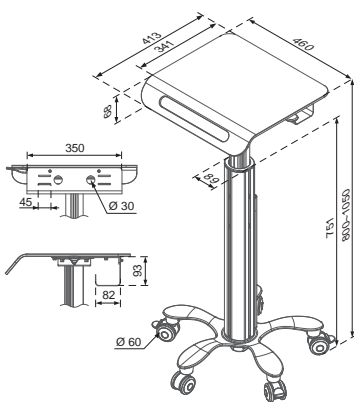


FPMA-HAW100HC

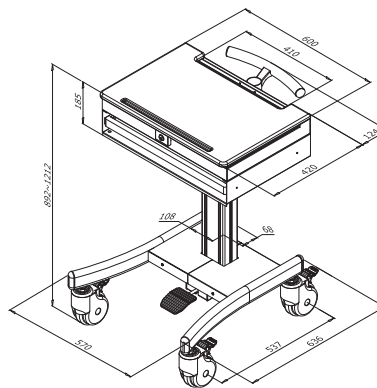
FPMA-HAW100



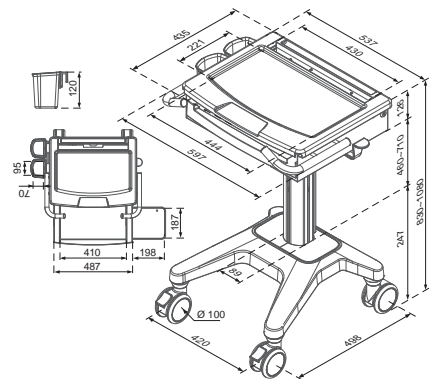
FPMA-HAW300



MED-M050

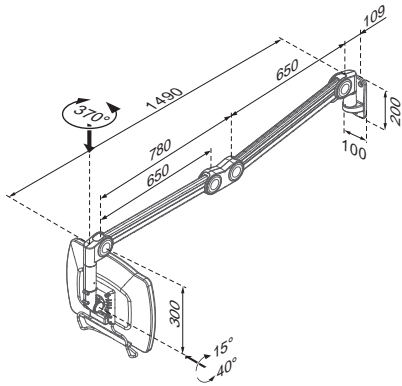


MED-M100

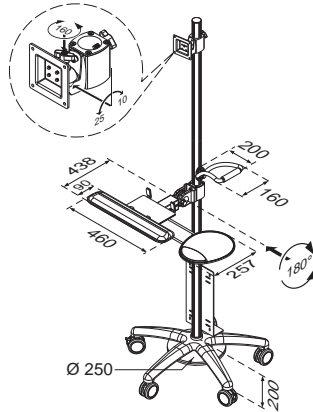


MED-M200

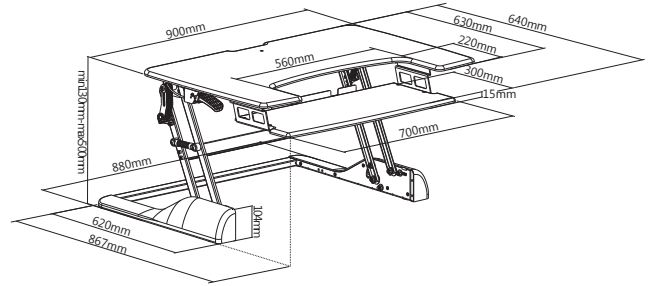
LINE DRAWINGS



FPMA-HAW200

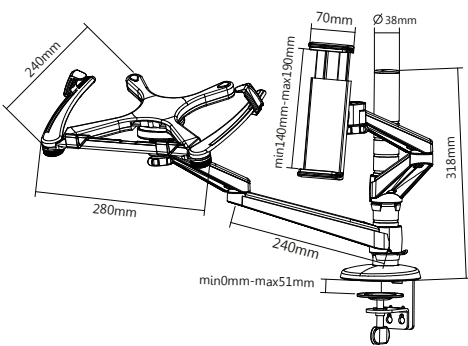


FPMA-MOBILE1800

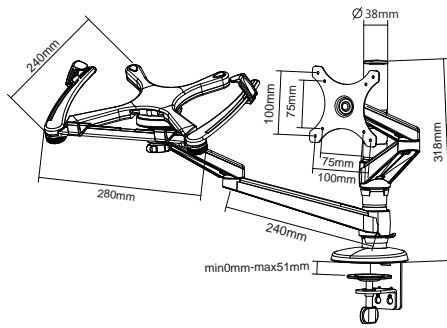


NS-WS100WHITE

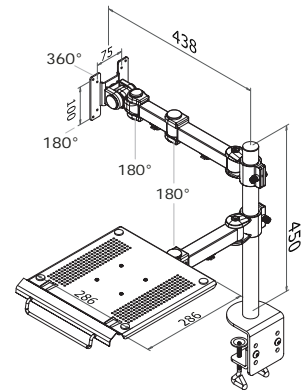
NS-WS100BLACK



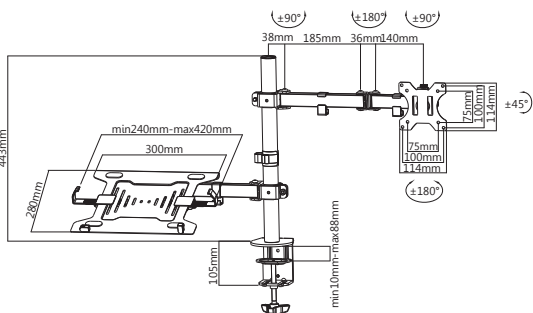
NOTEBOOK-D300



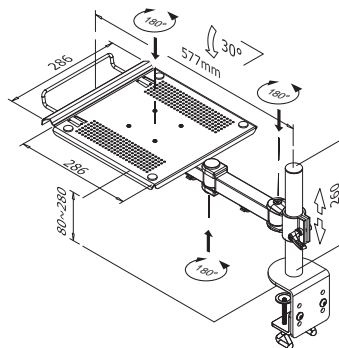
FPMA-D300NOTEBOOK



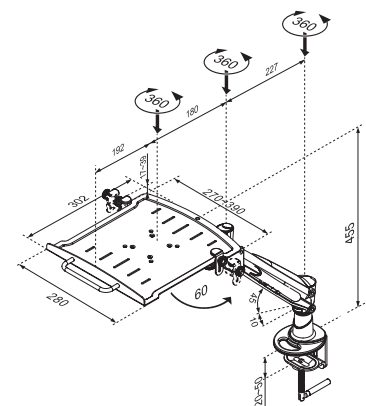
FPMA-D960NOTEBOOK



FPMA-D550NOTEBOOK

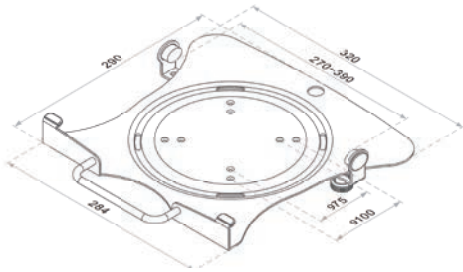


NOTEBOOK-D100

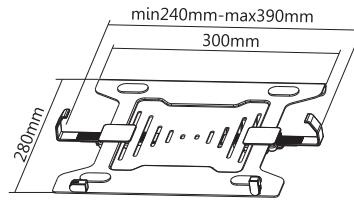


NOTEBOOK-D200

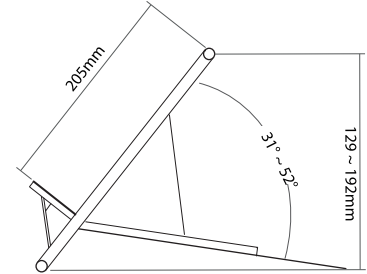
LINE DRAWINGS



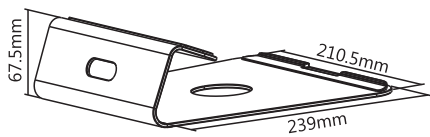
NOTEBOOK-V100



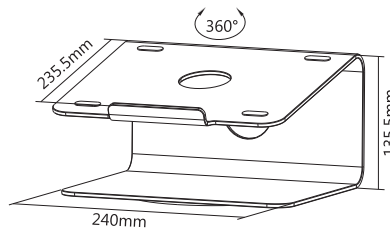
NOTEBOOK-V200



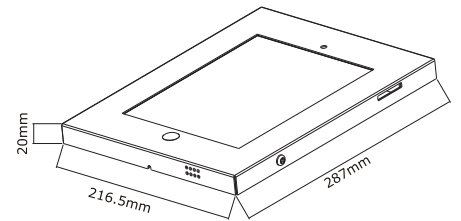
NSLS100



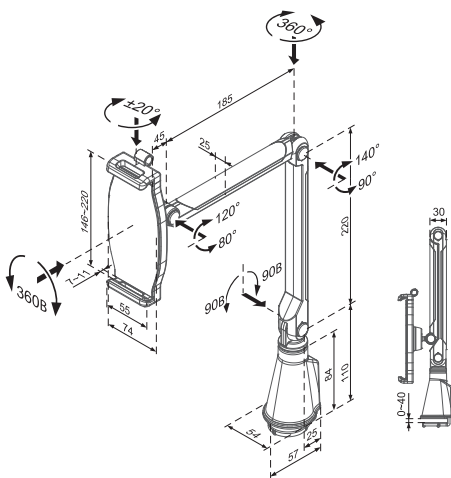
NSLS025



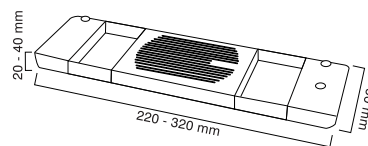
NSLS050



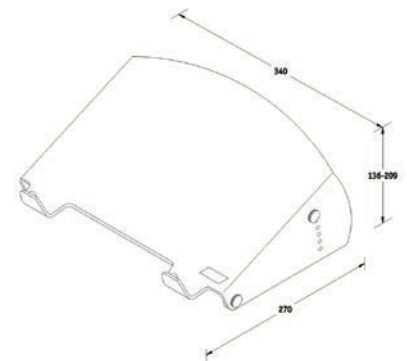
IPAD2N-UN20BLACK



TABLET-D100SILVER



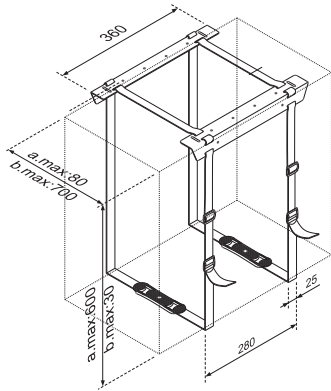
NSLC200



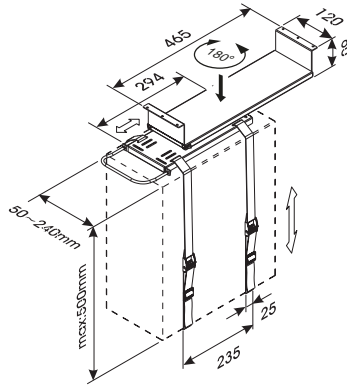
NSNOTEBOOK300



LINE DRAWINGS

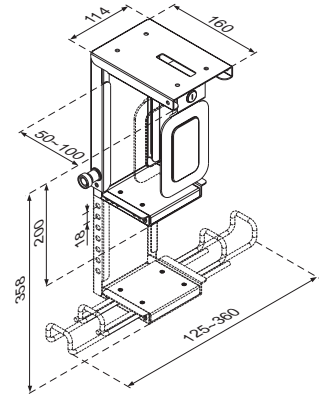


CPU-D025BLACK

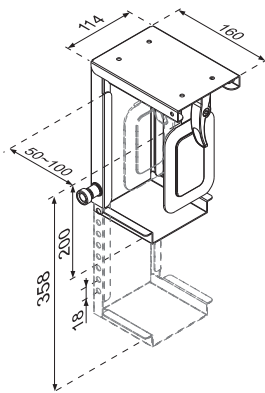


CPU-D050SILVER

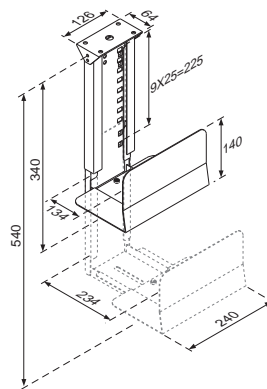
CPU-D050BLACK



CPU-D075BLACKLK

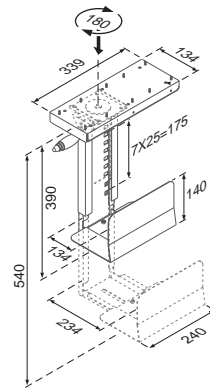


CPU-D075BLACK



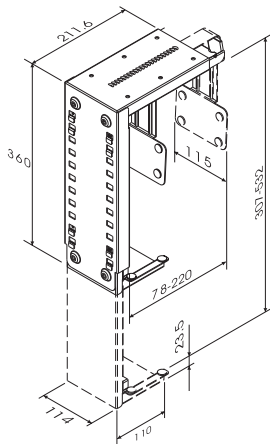
CPU-D200SILVER

CPU-D200BLACK



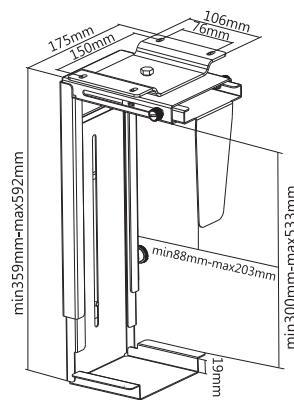
CPU-D250SILVER

CPU-D250BLACK

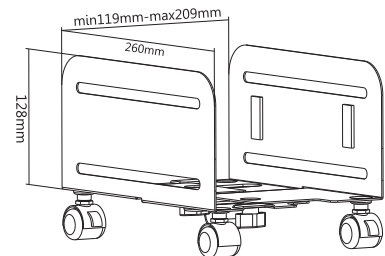


CPU-D100WHITE / CPU-D100SILVER

CPU-D100BLACK

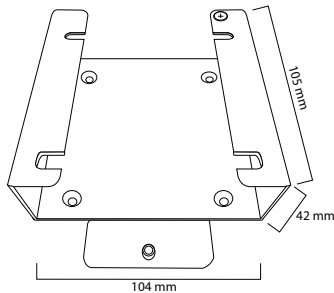


NM-CPU100BLACK

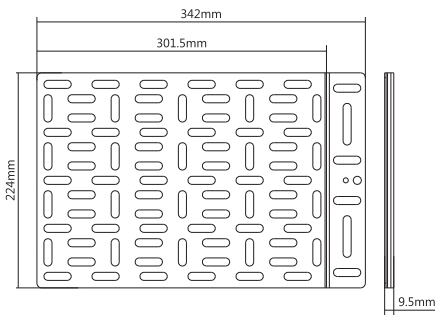


CPU-M100BLACK

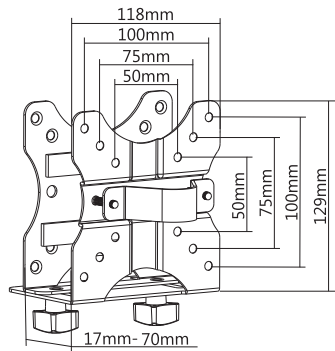
LINE DRAWINGS



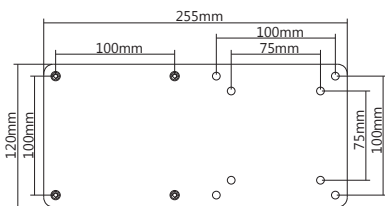
NS-ATV100



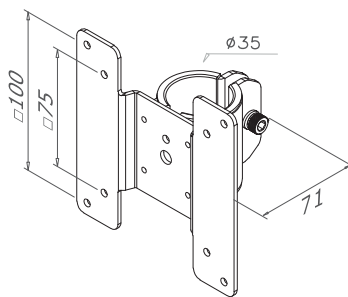
NS-MPM100



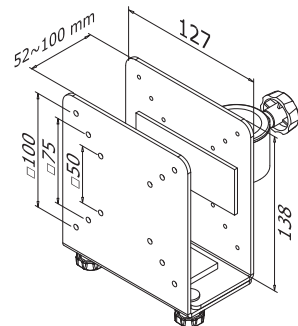
NM-TC100BLACK



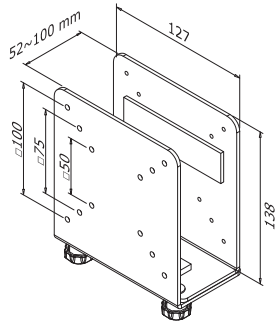
THINCLIENT-01



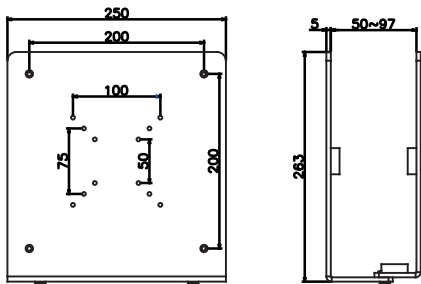
THINCLIENT-05



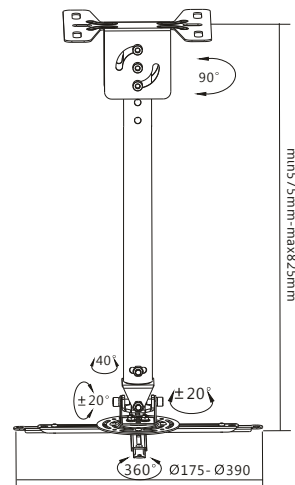
THINCLIENT-10



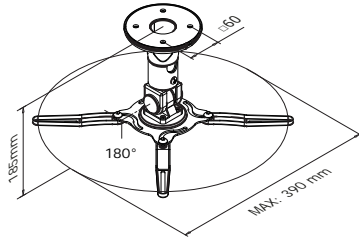
THINCLIENT-20



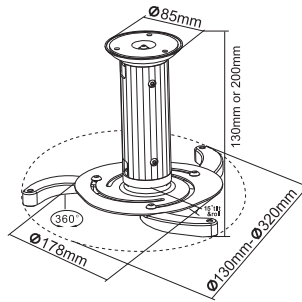
THINCLIENT-200



**BEAMER-C100SILVER
BEAMER-C100**

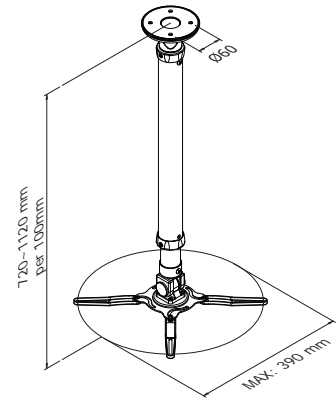


BEAMER-C50

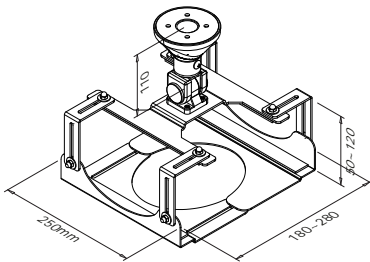


BEAMER-C80WHITE

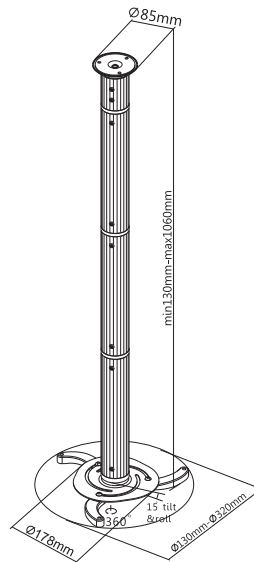
BEAMER-C80



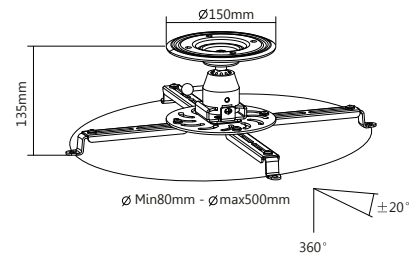
BEAMER-C350BLACK



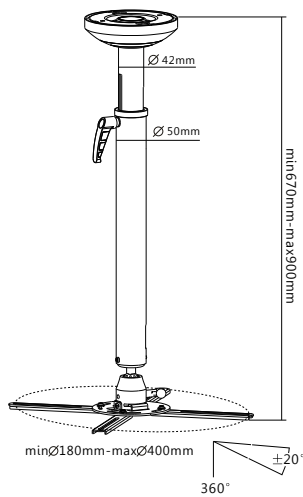
BEAMER-C300



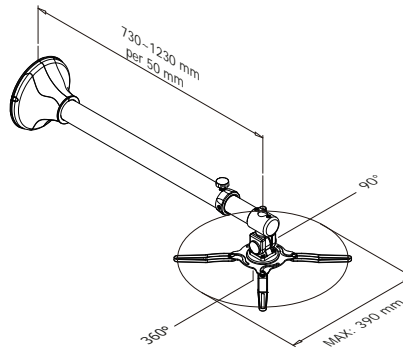
BEAMER-C200



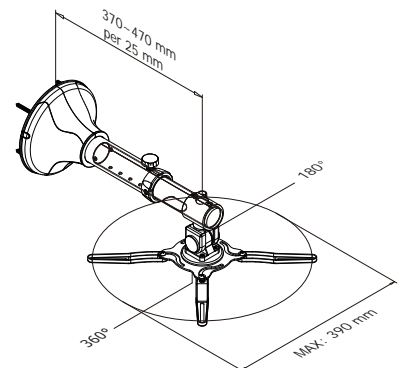
NM-BC25BLACK



NM-BC75BLACK



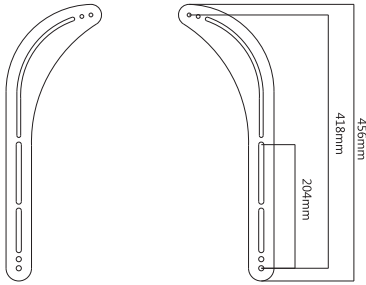
BEAMER-W100SILVER



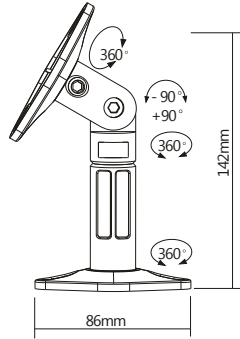
BEAMER-W050BLACK

BEAMER-W050SILVER

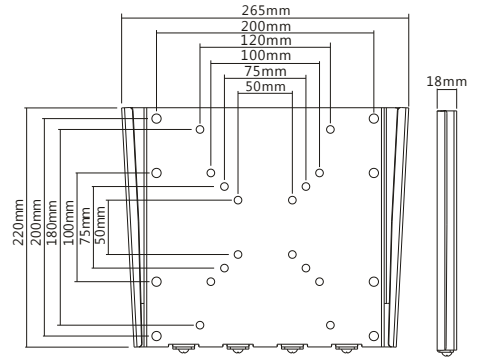
LINE DRAWINGS



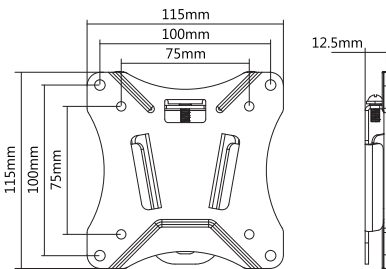
NM-USP100BLACK
NS-SB100



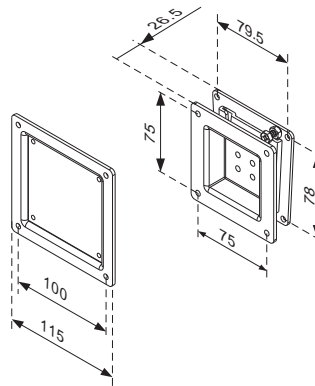
SPEAKER-W100BLACK
SPEAKER-W100



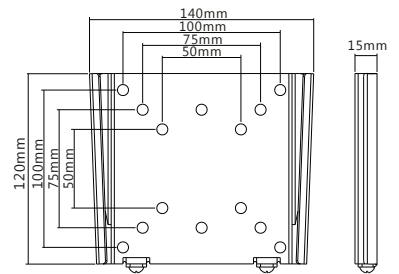
FPMA-W110BLACK
FPMA-W110



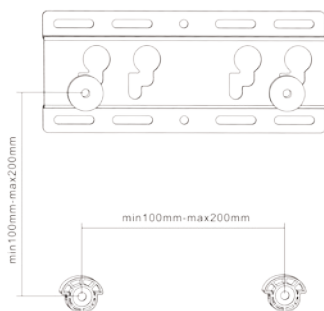
NM-W25BLACK



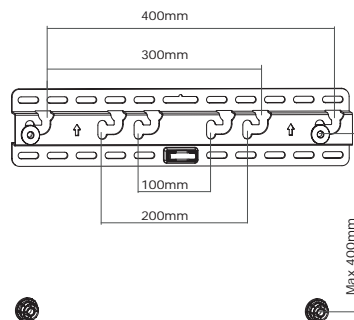
FPMA-W50



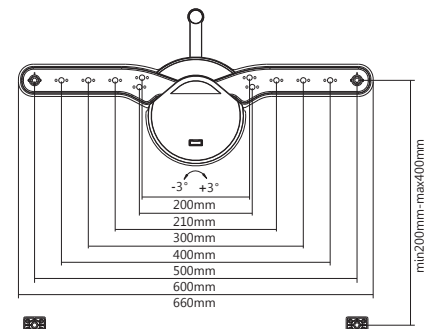
FPMA-W25BLACK
FPMA-W25



LED-W020

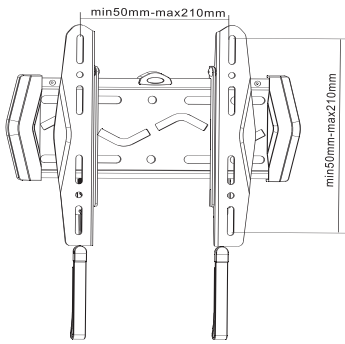


LED-W040

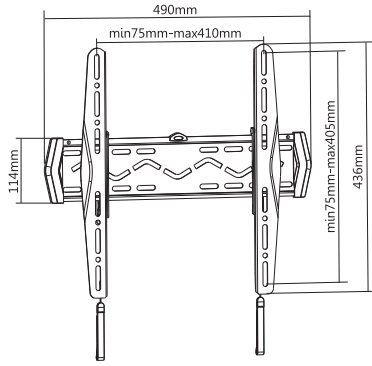


OLED-W600BLACK

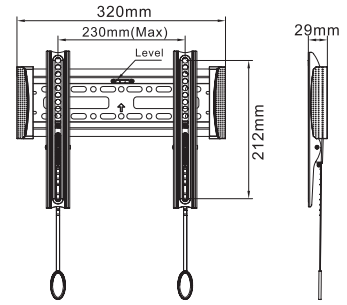
LINE DRAWINGS



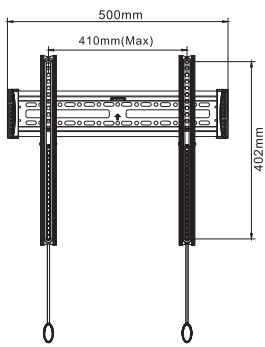
LED-W120



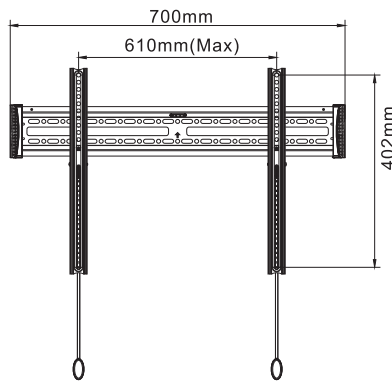
LED-W140



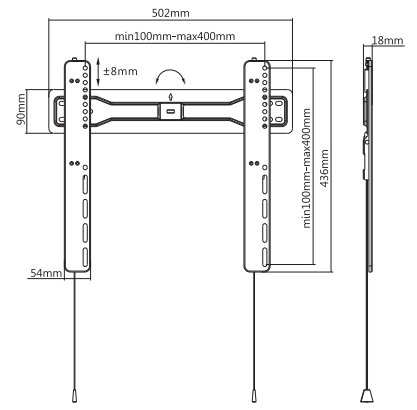
NM-W120BLACK



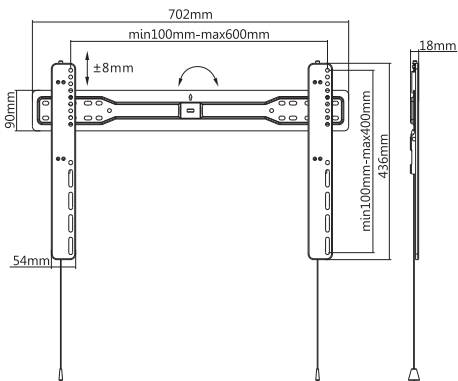
NM-W340BLACK



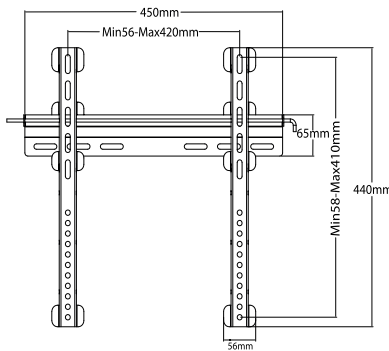
NM-W360BLACK



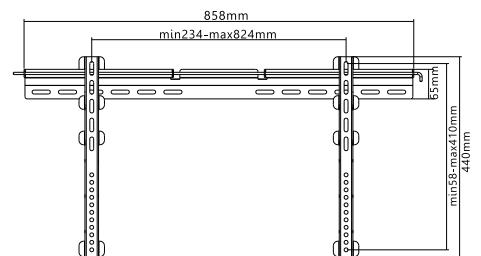
LED-W400



LED-W600

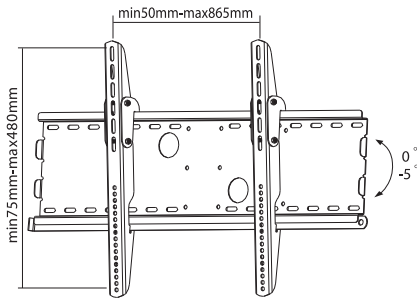


**PLASMA-WO40BLACK
PLASMA-WO40**

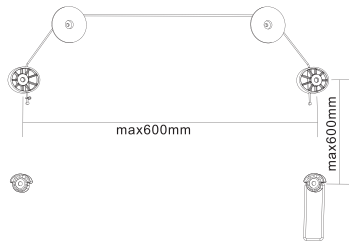


**PLASMA-WO65BLACK
PLASMA-WO65**

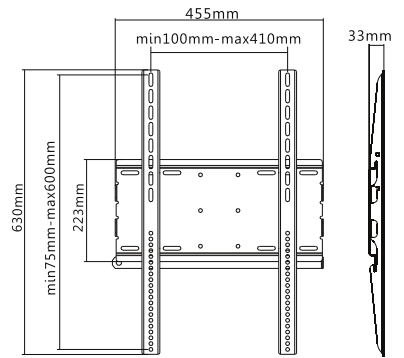
LINE DRAWINGS



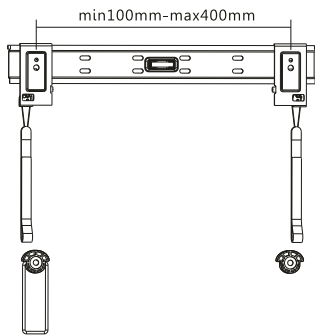
PLASMA-W100



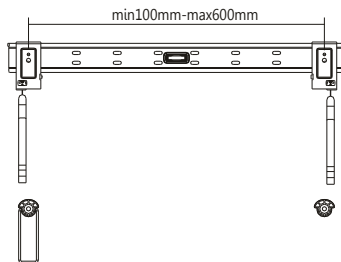
PLASMA-W800



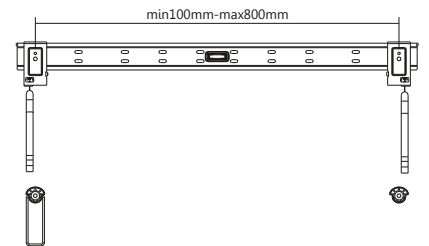
PLASMA-WP100



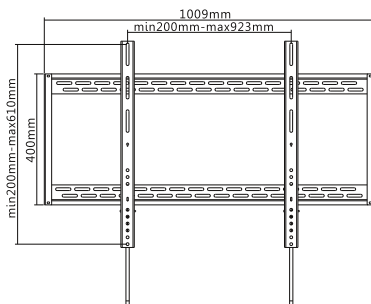
PLASMA-W840



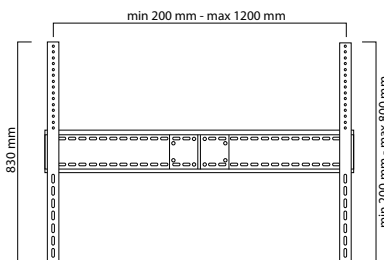
PLASMA-W860



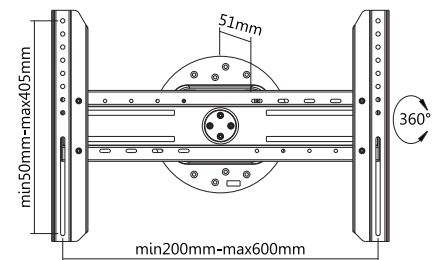
PLASMA-W880



LFD-W1000



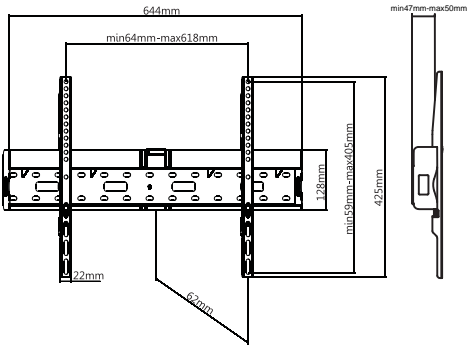
LFD-W1500



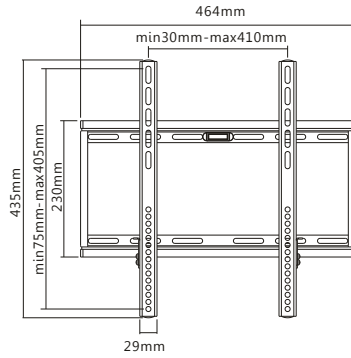
LED-WR100BLACK



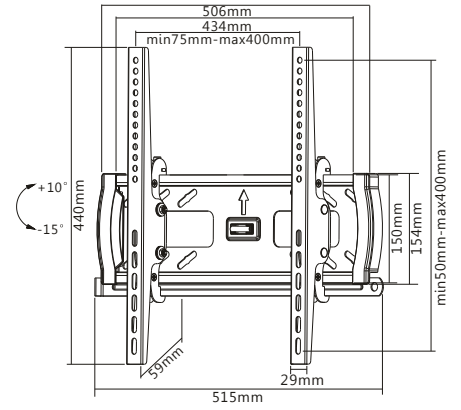
LINE DRAWINGS



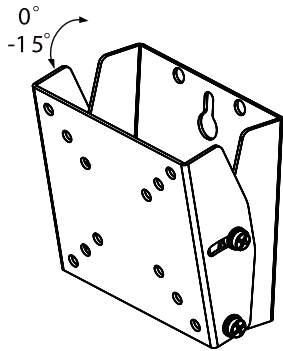
LFD-W1640MP



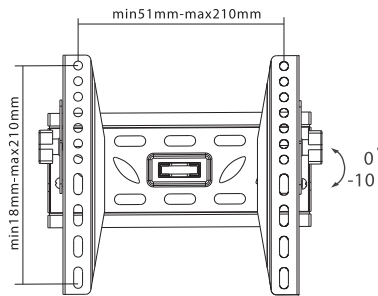
PLASMA-WKIT1



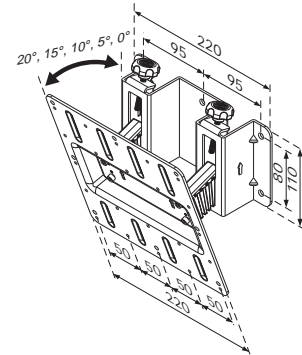
PLASMA-W240



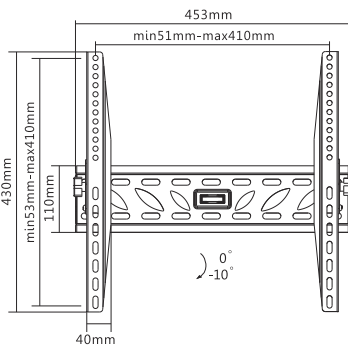
FPMA-W60



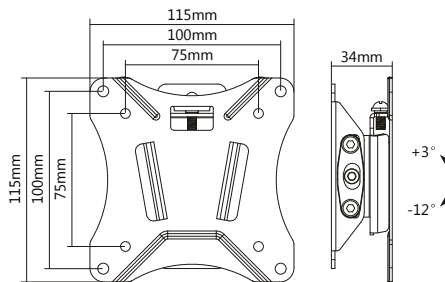
LED-W220



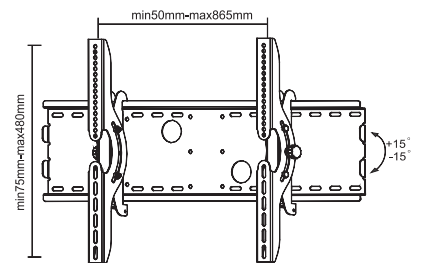
FPMA-W120



LED-W240

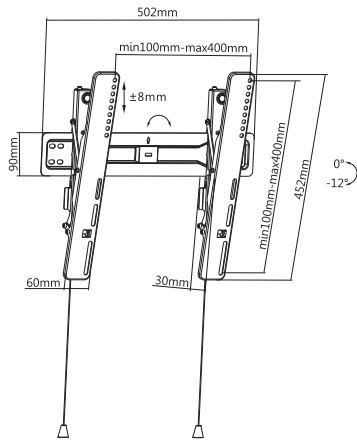


NM-W60BLACK

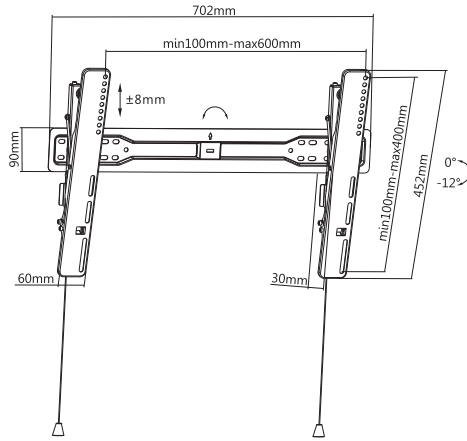


PLASMA-W200

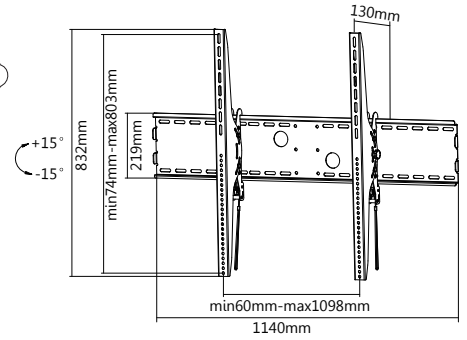
LINE DRAWINGS



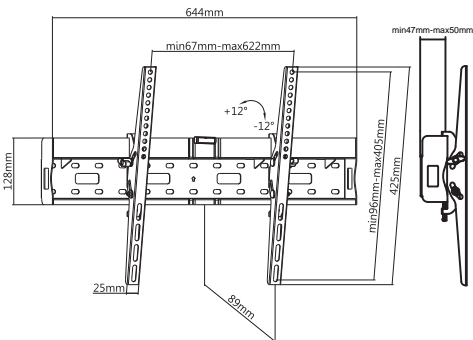
LED-W450



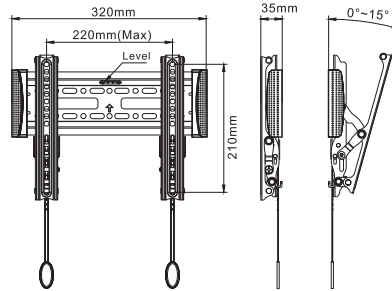
LED-W560



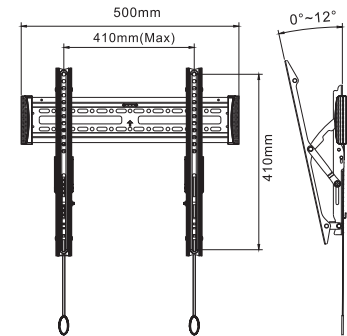
LFD-W2000



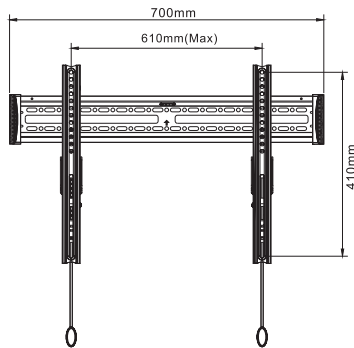
LFD-W2640MP



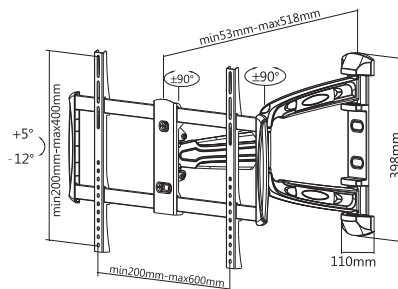
NM-W125BLACK



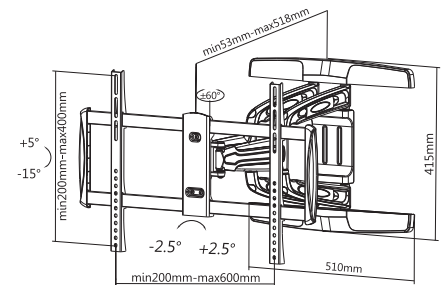
NM-W345BLACK



NM-W365BLACK

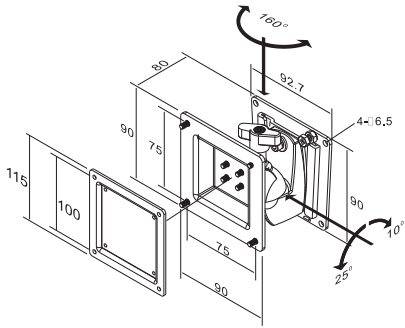


LED-W700SILVER

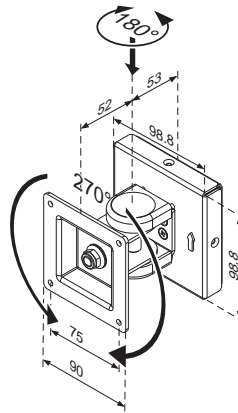


LED-W750SILVER

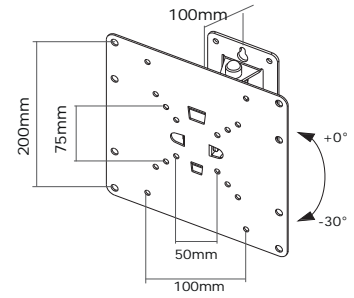
LINE DRAWINGS



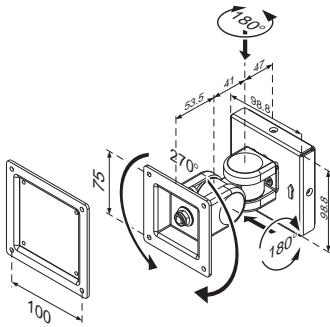
FPMA-W75



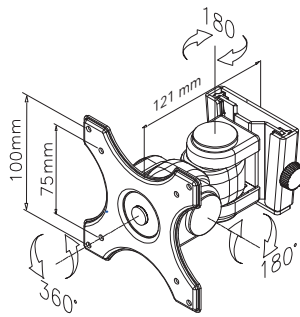
FPMA-W100



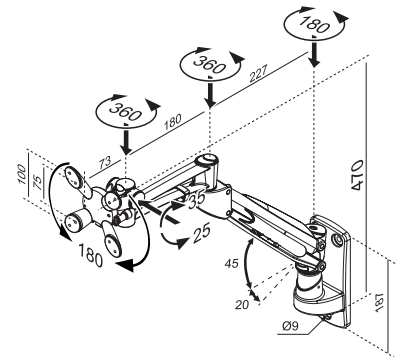
FPMA-W115



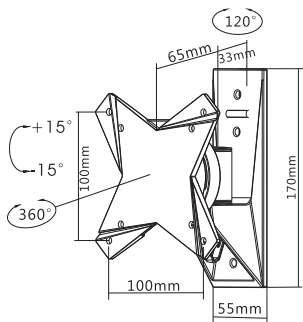
FPMA-W200



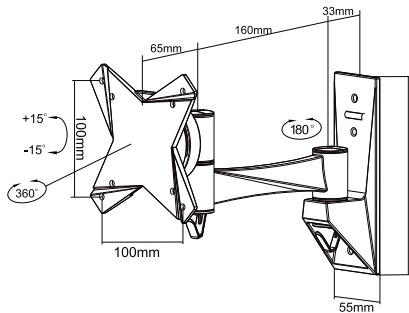
FPMA-W250BLACK



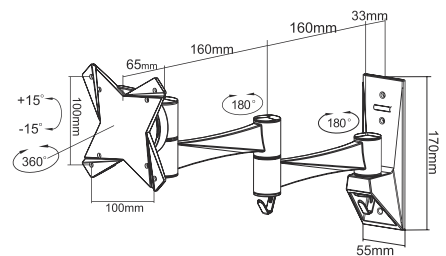
FPMA-W940



FPMA-W812

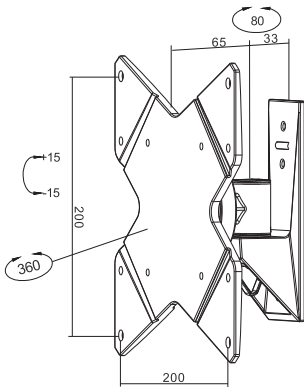


FPMA-W822

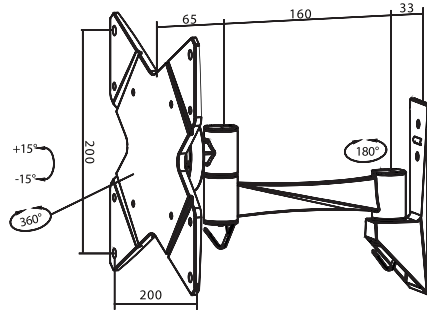


FPMA-W832

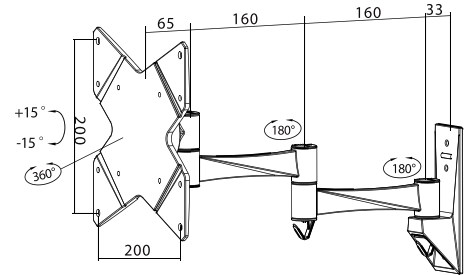
LINE DRAWINGS



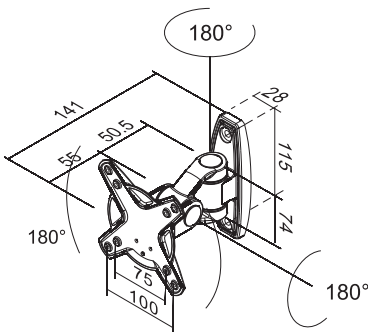
FPMA-W815



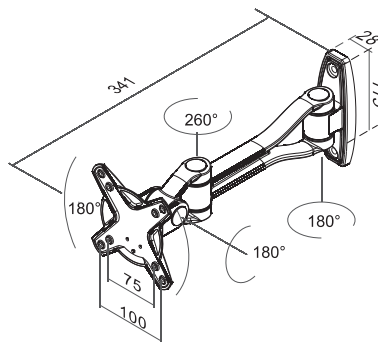
FPMA-W825



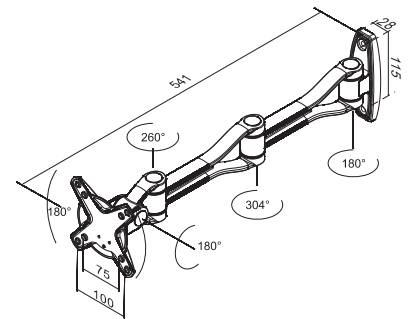
FPMA-W835



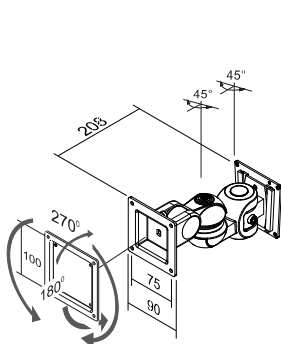
FPMA-W1010



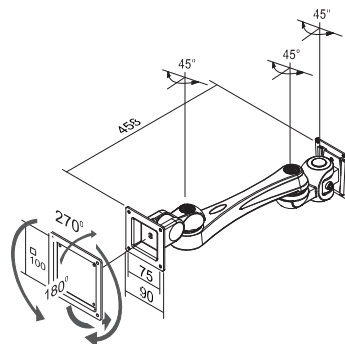
FPMA-W1020



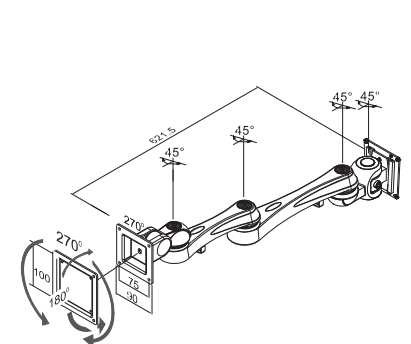
FPMA-W1030



FPMA-W910

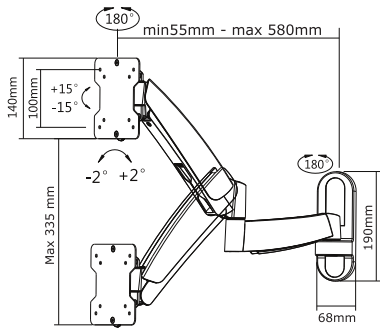


FPMA-W920

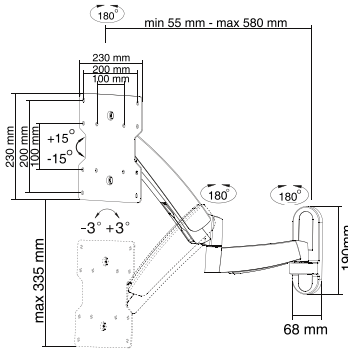


FPMA-W930

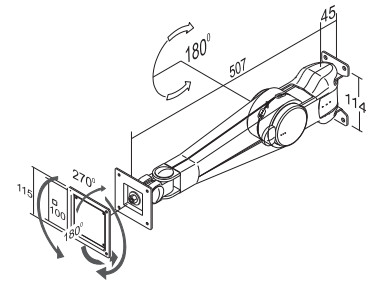
LINE DRAWINGS



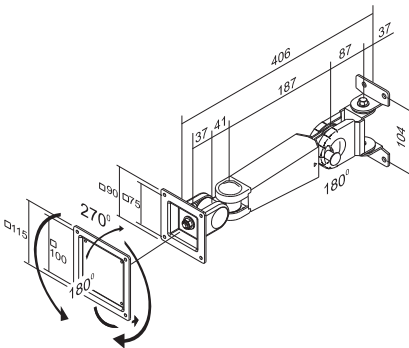
FPMA-W955



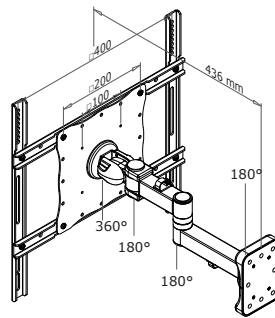
FPMA-W950



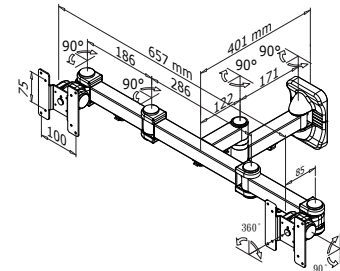
FPMA-W500BLACK
FPMA-W500



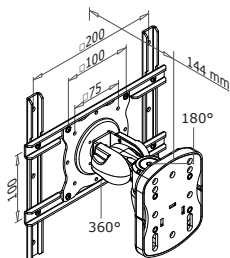
FPMA-W400



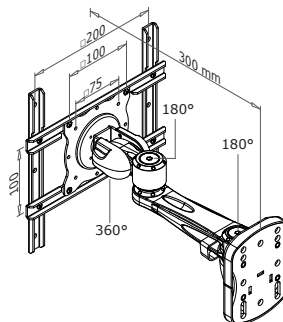
FPMA-W960



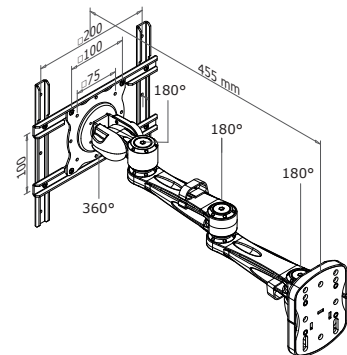
FPMA-W960D



FPMA-W915

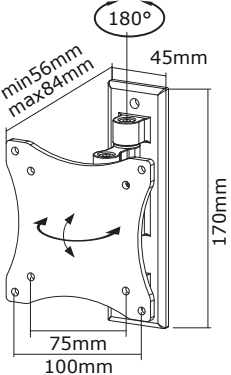


FPMA-W925

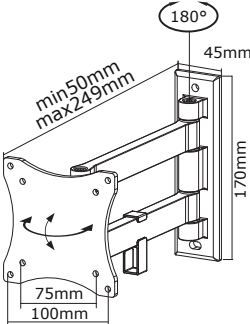


FPMA-W935

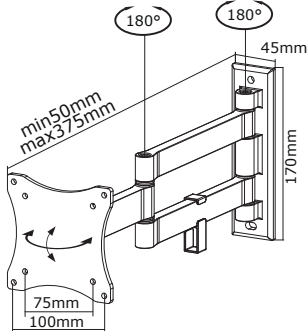
LINE DRAWINGS



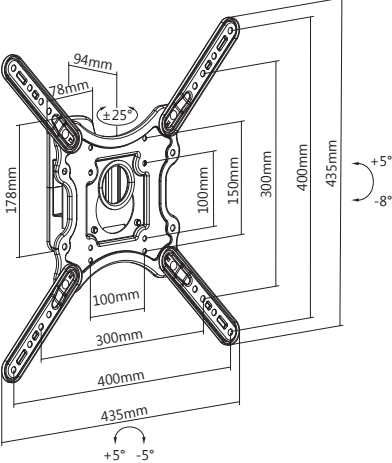
FPMA-W810BLACK
FPMA-W810



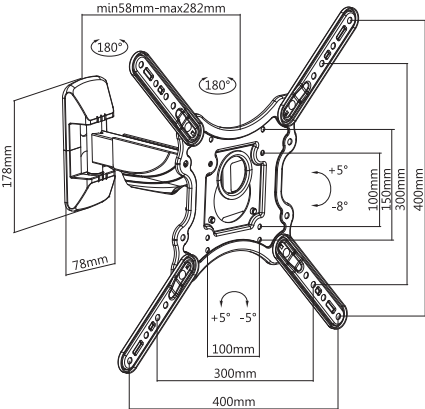
FPMA-W820BLACK
FPMA-W820



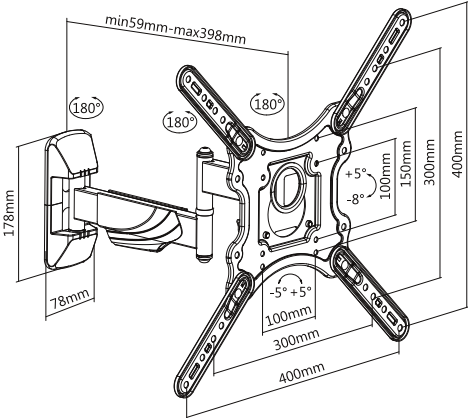
FPMA-W830BLACK
FPMA-W830



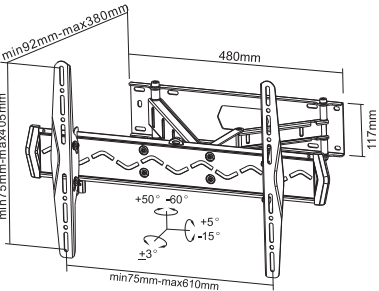
LED-W410



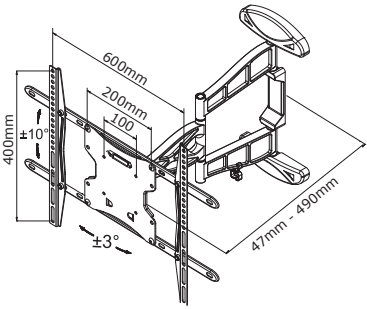
LED-W420



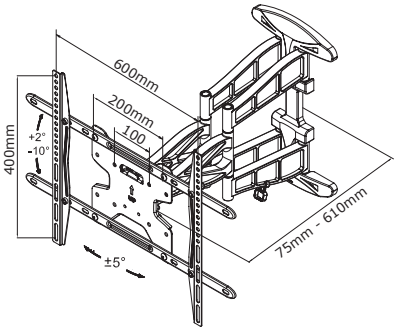
LED-W430



LED-W560

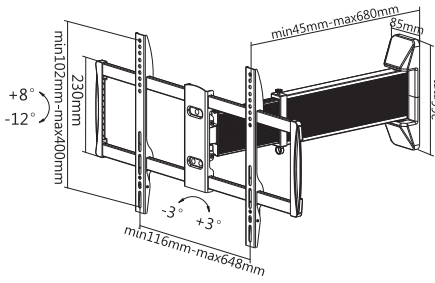


LED-W500SILVER
LED-W500

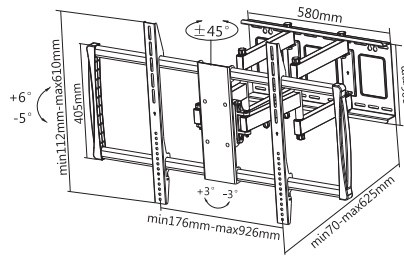


LED-W550

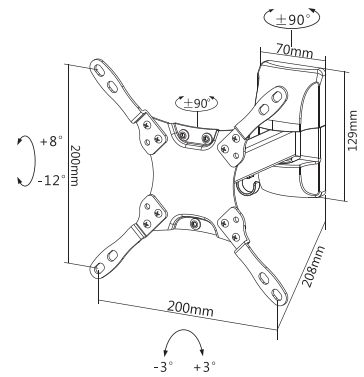
LINE DRAWINGS



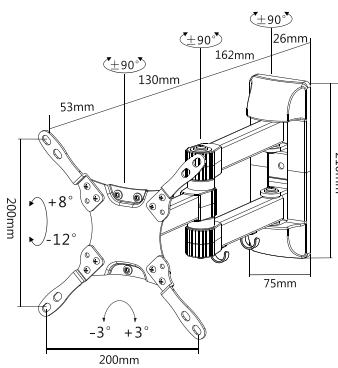
LED-W800BLACK



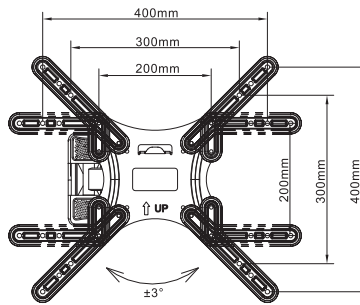
LFD-W8000



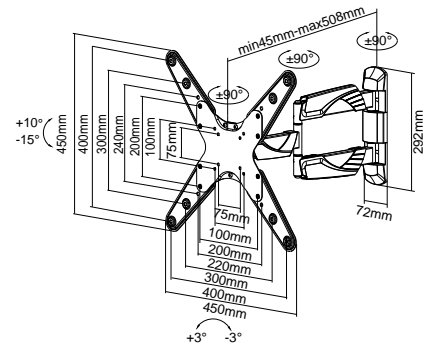
NM-W115BLACK



NM-W225BLACK

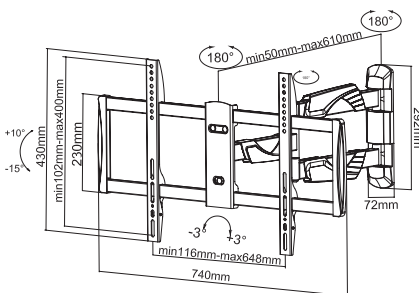


NM-W325BLACK



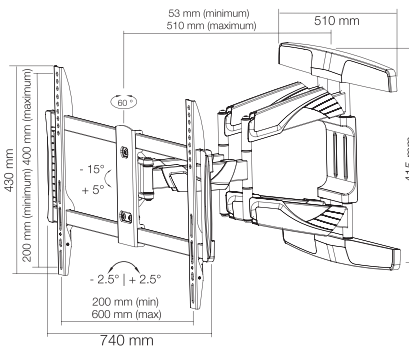
NM-W440WHITE

NM-W440BLACK

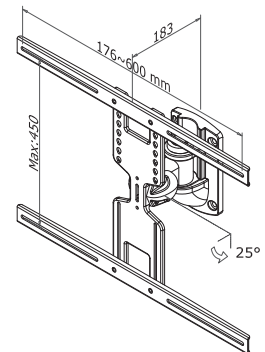


NM-W460WHITE

NM-W460BLACK

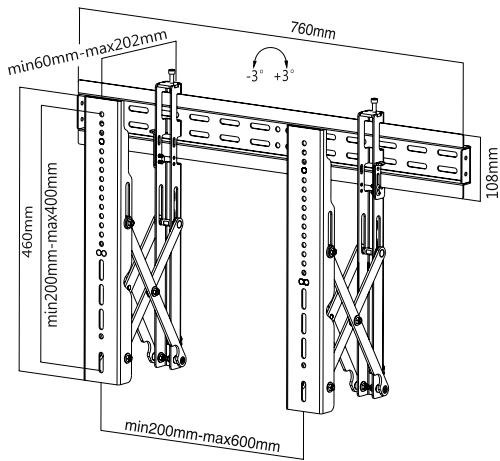


NM-W475BLACK

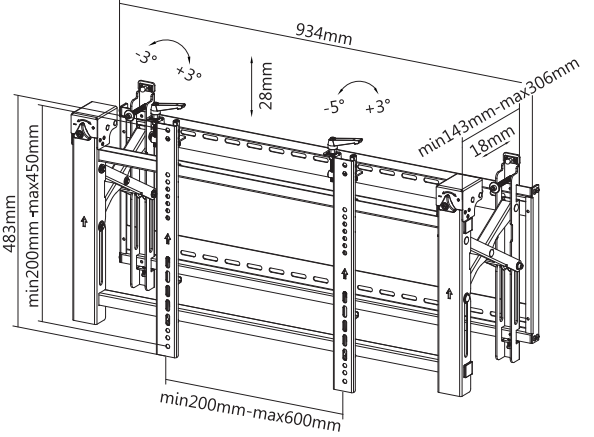


PLASMA-W115

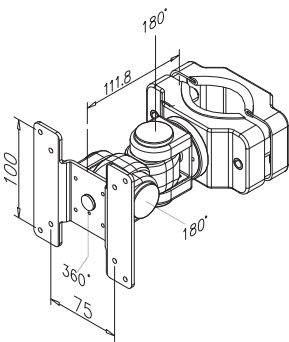
LINE DRAWINGS



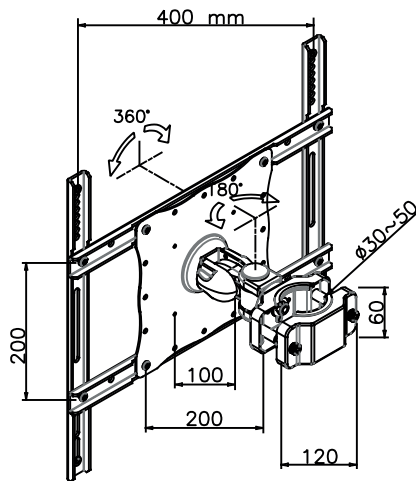
LED-VW100BLACK



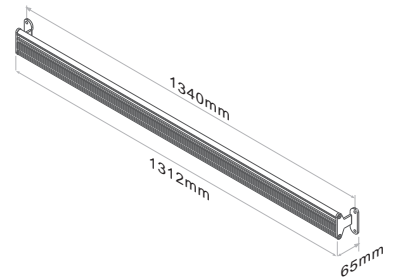
LED-VW200BLACK



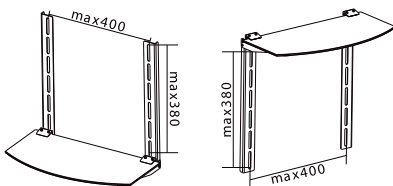
FPMA-WP200BLACK



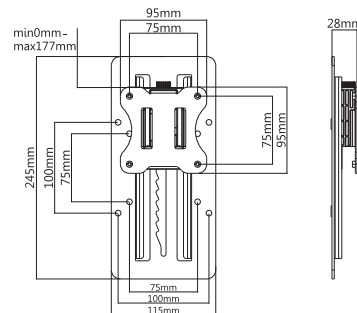
FPMA-WP440BLACK



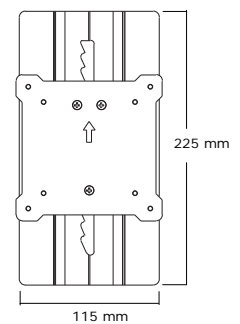
FPMA-WTB100



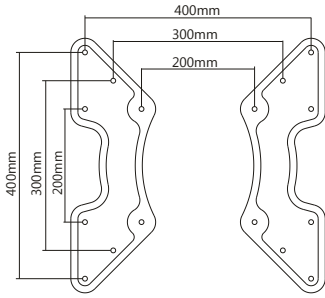
NS-SHELF100



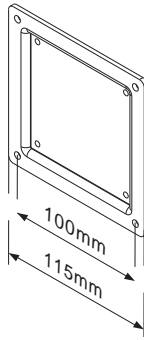
FPMA-LIFT100BLACK



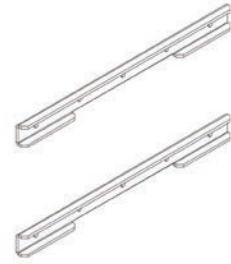
FPMA-LIFT100



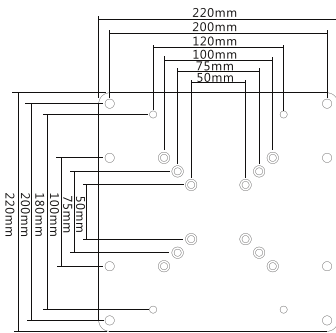
FPMA-VESA440



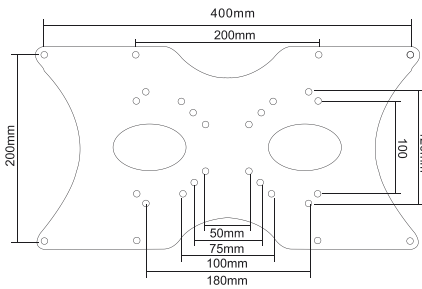
FPMA-VESA100



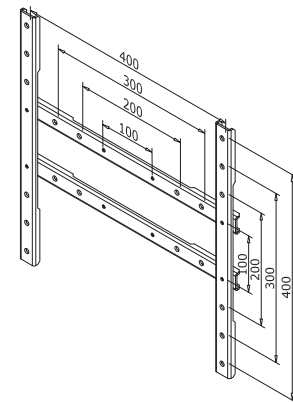
FPMA-VESA120



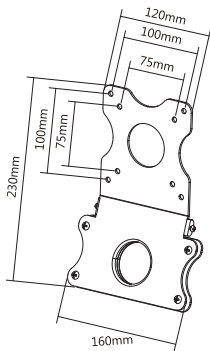
FPMA-VESA200



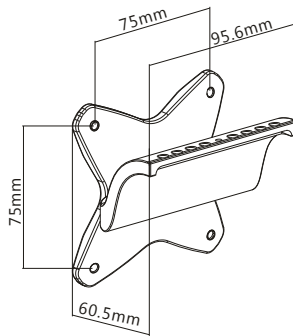
FPMA-VESA400



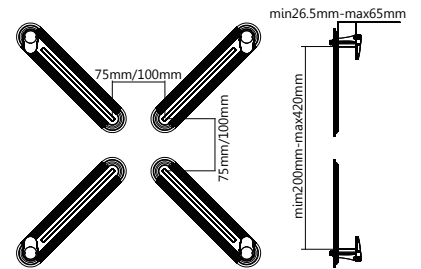
FPMA-VESA425



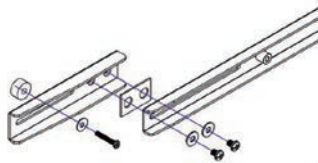
FPMA-VESAMAC2127



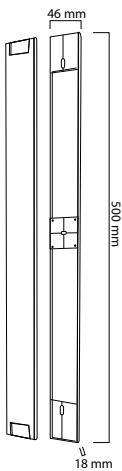
FPMA-VESAMAC



FPMA-VESANON



FPMA-VESA800



NS-CC050SILVER



PRODUCT OVERVIEW

CEILING MOUNTS

MODEL	PAGE
CEILING MOUNTS	
FPMA-C020BLACK	003
FPMA-C025BLACK	004
FPMA-C025SILVER	004
FPMA-C050BLACK	005
FPMA-C050SILVER	005
FPMA-C060BLACK	005
FPMA-C100	005
FPMA-C100SILVER	005
FPMA-C100WHITE	005
FPMA-C200	004
FPMA-C200BLACK	004
FPMA-C200D	004
FPMA-C340BLACK	007
FPMA-C400BLACK	007
FPMA-C400SILVER	007
NM-C440BLACK	006
NM-C440DBLACK	006
PLASMA-C100	007
PLASMA-C100BLACK	007
PLASMA-C100D	007

MODEL	PAGE
CEILING-TO-FLOOR MOUNT	
FPMA-CF250BLACK	010
FPMA-CF250XTBLACK	010

MODEL	PAGE
CEILING MOUNT ACCESSORIES	
FPMA-CP100	008
FPMA-CP100BLACK	008
FPMA-CP150	008
FPMA-CP150BLACK	008
FPMA-CP200	008
FPMA-CP200BLACK	008
FPMA-CPCONNECTBLACK	008
FPMA-CPCONNECTSILVER	008
FPMA-CRB5	008
FPMA-CRS5	008
FPMA-CRW5	008
FPMA-CRB5HM	008
FPMA-CRW5HM	008
FPMA-CRB6	008
FPMA-CRS6	008
FPMA-CRW6	008

DESK MOUNTS

MODEL	PAGE
CUBICAL HANGER	
FPMA-CH100BLACK	034

MODEL	PAGE
DESK MOUNTS WITH SPRING	
FPMA-D100	017
FPMA-D100BLACK	017
FPMA-D200	017
FPMA-D200BLACK	017
FPMA-D400	017
FPMA-D500DHBBLACK	016
FPMA-D600	017
FPMA-D600BLACK	017
FPMA-D940	018
FPMA-D940D	018
FPMA-D940DD	018
FPMA-D940DG	018
FPMA-D940G	018
FPMA-D940HC	018
FPMA-D950	015
FPMA-D950BLACK	015
FPMA-D950D	015
FPMA-D950DBLACK	015
NM-D500BLACK	016
NM-D500DBLACK	016
NM-D750BLACK	014
NM-D750SILVER	014
NM-D750WHITE	014
NM-D750DBLACK	014
NM-D750DSILVER	014
NM-D750DWHITE	014
NM-D725DXSILVER	016

NM-D750DXSILVER	016
-----------------	-----

MODEL	PAGE
REGULAR DESK MOUNTS	
FPMA-D010BLACK	020
FPMA-D010DBLACK	020
FPMA-D025BLACK	025
FPMA-D025SILVER	025
FPMA-D050DBLACK	025
FPMA-D500KEYB	024
FPMA-D550BLACK	020
FPMA-D550DBLACK	020
FPMA-D550D3BLACK	020
FPMA-D700	025
FPMA-D700DD	026
FPMA-D700DD3	026
FPMA-D700DD4	026
FPMA-D700DDV	025
FPMA-D700D	026
FPMA-D700D3	026
FPMA-D700D4	026
FPMA-D700D6	027
FPMA-D700DV	025
FPMA-D800	031
FPMA-D825BLACK	027
FPMA-D850BLACK	031
FPMA-D875BLACK	032
FPMA-D890BLACK	023
FPMA-D890WHITE	023
FPMA-D910	027
FPMA-D920	027
FPMA-D930	027
FPMA-D930D	027
FPMA-D935	028
FPMA-D935D	028
FPMA-D935D4	028
FPMA-D935DG	028
FPMA-D935G	028
FPMA-D935GROMMET	033
FPMA-D935POLE	033
FPMA-D935POLE40	033
FPMA-D935POLE70	028
FPMA-D960	029
FPMA-D960D	029
FPMA-D960D3	029
FPMA-D960DG	029
FPMA-D960G	029
FPMA-D960GROMMET	033
FPMA-D965	030
FPMA-D1010	030
FPMA-D1020	030
FPMA-D1020KEYB	033
FPMA-D1030	030
FPMA-D1030D	030
FPMA-D1200BLACK	033
FPMA-D1240BLACK	032
FPMA-D1250BLACK	032
FPMA-D1330BLACK	019
FPMA-D1330SILVER	019
FPMA-D1330WHITE	019
FPMA-D1330DBLACK	020
FPMA-D1330DSILVER	020
FPMA-D1330DWHITE	020
FPMA-DCB100DBLACK	027
NM-D135BLACK	021
NM-D135SILVER	021
NM-D135WHITE	021
NM-D135DBLACK	021
NM-D135DSILVER	021
NM-D135DWHITE	021
NM-D135D3BLACK	021
NM-D335BLACK	022
NM-D335DBLACK	022
NM-D335D4BLACK	022

MODEL	PAGE
MONITOR RISERS	
NSMONITOR10	036
NSMONITOR20	035
NSMONITOR40	036
NSMONITOR50	036

MODEL	PAGE
DESK MOUNT ACCESSORIES	
FPMA-D940GROMMET	038
FPMA-D9GROMMET	038

FPMA-D9POLE.....	038
FPMA-CB100BLACK.....	039
FPMA-DTB100.....	039
FPMA-DTB200.....	039
FPMA-DTBW100.....	040
FPMA-DTBW200.....	040
FPMA-DTBW910.....	040
FPMA-DTBW940.....	040
KEYB-V050.....	038
KEYB-V100.....	038
KEYB-V100RACK.....	038
KEYB-V200BLACK.....	037
KEYB-V550LAPTOP.....	038

FLOOR STANDS

MODEL	PAGE
MOTORISED FLOOR STANDS	PAGE
PLASMA-M2250SILVER.....	045
PLASMA-M2500BLACK.....	044
PLASMA-M2500SILVER.....	044
PLASMA-M2500BLACKMS.....	044
PLASMA-M2500SILVERMS.....	044
PLASMA-M2500TBLACK.....	046
PLASMA-M2500TSILVER.....	046
PLASMA-W2250SILVER.....	048
PLASMA-W2500BLACK.....	048
PLASMA-W2500SILVER.....	048
PLASMA-W2500BLACKMS.....	048
PLASMA-W2500SILVERMS.....	048
PLASMA-M2500CAMSHELF.....	049
PLASMA-M2500FPLATE.....	049
PLASMA-M2500LAPSHelf.....	049
REGULAR FLOOR STANDS	PAGE
PLASMA-ME-SHELF.....	049
PLASMA-M1200.....	051
PLASMA-M1400.....	051
PLASMA-M1600.....	051
PLASMA-M1700E.....	050
PLASMA-M1700ES.....	050
PLASMA-M1800E.....	052
PLASMA-M2000.....	051
PLASMA-M2000E.....	052
PLASMA-M2000ED.....	052
PLASMA-M3000E.....	052
SMART KAPP FLOOR STANDS	PAGE
NS-SKM100WHITE.....	054
NS-SKM300WHITE.....	054

MEDICAL MOUNTS

MODEL	PAGE
MEDICAL CEILING MOUNTS	PAGE
FPMA-HAC100.....	058
FPMA-HAC100HC.....	058
MEDICAL WALL MOUNTS	PAGE
FPMA-HAW100.....	058
FPMA-HAW100HC.....	058
FPMA-HAW200.....	057
FPMA-HAW300.....	058
MEDICAL WORKSTATIONS	PAGE
MED-M050.....	060
MED-M100.....	060
MED-M200.....	060

MOBILE & SIT-STAND WORKSTATIONS

MODEL	PAGE
MOBILE WORKSTATION	PAGE
FPMA-MOBILE1800.....	063
SIT-STAND WORKSTATIONS	PAGE
NS-WS100BLACK.....	064
NS-WS100WHITE.....	064

NOTEBOOK & TABLET MOUNTS

MODEL	PAGE
NOTEBOOK MOUNTS	PAGE
FPMA-D300NOTEBOOK.....	067
FPMA-D550NOTEBOOK.....	068
FPMA-D960NOTEBOOK.....	068
NOTEBOOK-D100.....	068
NOTEBOOK-D200.....	068
NOTEBOOK-D300.....	068
NOTEBOOK-V100.....	069
NOTEBOOK-V200.....	069
NSLS025.....	069
NSLS050.....	070
NSLS100.....	069
TABLET MOUNTS	PAGE
IPAD2N-UN20BLACK.....	071
NS-MKIT100.....	071
TABLET-D100SILVER.....	071
NOTEBOOK RISERS	PAGE
NSLC200.....	072
NSNOTEBOOK300.....	072

PC & THIN CLIENT MOUNTS

MODEL	PAGE
PC MOUNTS	PAGE
CPU-D025BLACK.....	075
CPU-D050BLACK.....	076
CPU-D050SILVER.....	076
CPU-D075BLACK.....	076
CPU-D075BLACKLK.....	076
CPU-D100BLACK.....	078
CPU-D100SILVER.....	078
CPU-D100WHITE.....	078
CPU-D200BLACK.....	077
CPU-D200SILVER.....	077
CPU-D250BLACK.....	077
CPU-D250SILVER.....	077
CPU-M100BLACK.....	079
NM-CPU100BLACK.....	080
MEDIA PLAYER MOUNTS	PAGE
NS-ATV050.....	081
NS-ATV100.....	081
NS-MPM100.....	081
THIN CLIENT MOUNTS	PAGE
NM-TC100BLACK.....	082
THINCLIENT-01.....	083
THINCLIENT-05.....	084
THINCLIENT-10.....	084
THINCLIENT-20.....	084
THINCLIENT-200.....	084

PROJECTOR MOUNTS

MODEL	PAGE
CEILING PROJECTOR MOUNTS	PAGE
BEAMER-C50.....	088
BEAMER-C80.....	088
BEAMER-C80WHITE.....	088
BEAMER-C100.....	087
BEAMER-C100SILVER.....	087
BEAMER-C200.....	089
BEAMER-C300.....	089
BEAMER-C350BLACK.....	089
BEAMER-P100.....	089
BEAMER-P150.....	089
BEAMER-P200.....	089
NM-BC25BLACK.....	090
NM-BC75BLACK.....	090
WALL PROJECTOR MOUNTS	PAGE
BEAMER-W050BLACK.....	092
BEAMER-W050SILVER.....	092
BEAMER-W100SILVER.....	092



PRODUCT OVERVIEW

SPEAKER MOUNTS

MODEL	PAGE
SOUNDBARS	
NM-USP100BLACK.....	PAGE 094
NS-SB100.....	094
SPEAKER MOUNTS	
SPEAKER-W100.....	PAGE 094
SPEAKER-W100BLACK.....	094

WALL MOUNTS

MODEL	PAGE
FIXED WALL MOUNTS	
FPMA-W25.....	PAGE 098
FPMA-W25BLACK.....	098
FPMA-W50.....	098
FPMA-W110.....	097
FPMA-W110BLACK.....	097
LED-W020.....	098
LED-W040.....	098
LED-W120.....	099
LED-W140.....	099
LED-W400.....	100
LED-W600.....	100
LED-WR100BLACK.....	103
LFD-W1000.....	103
LFD-W1500.....	103
LFD-W1640MP.....	103
NM-W25BLACK.....	098
NM-W120BLACK.....	100
NM-W340BLACK.....	100
NM-W360BLACK.....	100
OLED-W600BLACK.....	099
PLASMA-W040.....	101
PLASMA-W040BLACK.....	101
PLASMA-W065.....	101
PLASMA-W065BLACK.....	101
PLASMA-W100.....	102
PLASMA-W800.....	102
PLASMA-W840.....	102
PLASMA-W860.....	102
PLASMA-W880.....	102
PLASMA-WKIT1.....	104
PLASMA-WP100.....	102
TILT WALL MOUNTS	
FPMA-W60.....	PAGE 106
FPMA-W120.....	106
LED-W220.....	106
LED-W240.....	106
LED-W450.....	107
LED-W650.....	107
LFD-W2000.....	107
LFD-W2640MP.....	107
NM-W60BLACK.....	106
NM-W125BLACK.....	108
NM-W345BLACK.....	108
NM-W365BLACK.....	108
PLASMA-W200.....	106
PLASMA-W240.....	105
TILT & SWING WALL MOUNTS	
FPMA-W75.....	PAGE 110
FPMA-W100.....	110
FPMA-W115.....	110
FPMA-W200.....	110
FPMA-W250BLACK.....	110
FPMA-W400.....	114
FPMA-W500.....	114
FPMA-W500BLACK.....	114
FPMA-W810.....	116
FPMA-W810BLACK.....	116
FPMA-W812.....	111
FPMA-W815.....	111
FPMA-W820.....	116
FPMA-W820BLACK.....	116
FPMA-W822.....	111

FPMA-W825.....	111
FPMA-W830.....	116
FPMA-W830BLACK.....	116
FPMA-W832.....	111
FPMA-W835.....	111
FPMA-W910.....	112
FPMA-W915.....	115
FPMA-W920.....	112
FPMA-W925.....	115
FPMA-W930.....	112
FPMA-W935.....	115
FPMA-W940.....	110
FPMA-W950.....	113
FPMA-W955.....	113
FPMA-W960.....	114
FPMA-W960D.....	114
FPMA-W1010.....	112
FPMA-W1020.....	112
FPMA-W1030.....	112
LED-W410.....	118
LED-W420.....	118
LED-W430.....	118
LED-W500.....	118
LED-W500SILVER.....	118
LED-W550.....	118
LED-W560.....	117
LED-W700SILVER.....	109
LED-W750SILVER.....	109
LED-W800BLACK.....	120
LFD-W8000.....	120
NM-W115BLACK.....	121
NM-W225BLACK.....	121
NM-W325BLACK.....	121
NM-W440BLACK.....	122
NM-W440WHITE.....	122
NM-W460BLACK.....	122
NM-W460WHITE.....	122
NM-W475BLACK.....	124
PLASMA-W115.....	124

MODEL	PAGE
VIDEO WALL MOUNTS	
LED-VW1000BLACK.....	PAGE 126
LED-VW2000BLACK.....	127

MODEL	PAGE
WALL MOUNT ACCESSORIES	
FPMA-WP200BLACK.....	PAGE 128
FPMA-WP440BLACK.....	128
FPMA-WTB100.....	128
NS-SHELF100.....	128

ACCESSORIES

MODEL	PAGE
ADAPTER PLATES	
FPMA-LIFT100.....	PAGE 131
FPMA-LIFT100BLACK.....	131
FPMA-VESA100.....	132
FPMA-VESA120.....	132
FPMA-VESA200.....	132
FPMA-VESA400.....	132
FPMA-VESA425.....	132
FPMA-VESA440.....	132
FPMA-VESA800.....	133
FPMA-VESAMAC.....	133
FPMA-VESAMAC2127.....	133
FPMA-VESANON.....	133
HWKS-100.....	133
CABLES & CABLE COVERS	
HDMI3MM.....	PAGE 134
HDMI6MM.....	134
HDMI10MM.....	134
HDMI15MM.....	134
HDMI25MM.....	134
HDMI35MM.....	134
NS-CCO50SILVER.....	134
NS-CS200BLACK.....	134
LOCK	
NSVGALOCK.....	PAGE 134



MORE INFORMATION

For more information please visit our website: www.newstar.eu
Interested to become our official partner? Don't hesitate to contact us at phone number **+31(0)23-5478888** or send an email to sales@newstar.eu for the opportunities.

NEWSTAR

AV & IT MOUNTS



NEWSTAR PRODUCTS EUROPE BV.

Wateringweg 62/B
2031 EJ HAARLEM
THE NETHERLANDS
T : +31 (0)23-5478888

E : info@newstar.eu
W : www.newstar.eu

NEWSTAR can not be held liable for any inaccuracies and copyrights. No part of this publication may be reproduced and/or published by print, photocopy, microfilm or in any other way, without prior written permission of NewStar Products Europe BV.

