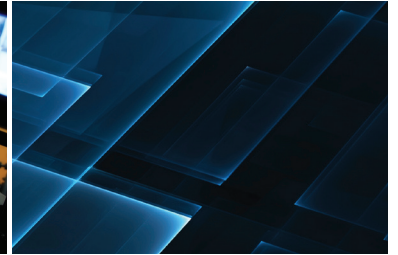


12 GHz 4K SMPTE Performance Broadcast Interconnect Solutions

A large, solid orange rectangular block containing the company logo and tagline. The logo features a stylized, curved graphic above the text "WINCHESTER ELECTRONICS". Below the logo, the tagline "CONNECTING INNOVATION TO APPLICATION®" is written in a smaller, sans-serif font.

WINCHESTER
ELECTRONICS

CONNECTING
INNOVATION
TO APPLICATION®



HDD BNC Series Connectors exceed SMPTE 424M-2006 (3G-SDI), optimized to achieve superior electrical performance for 6G-SDI and 12G-SDI single 4K coax channels.

HDD High Density BNC



The HDD BNC Series Connectors are miniaturized BNC connectors similar in size to DIN 1.0 / 2.3 connectors and feature a quick-connect/quick-disconnect interface.

Specifications

Electrical

Impedance: 75 Ohms
Frequency Range: DC – 12 GHz
Return Loss:
 -30 dB Max to 3 GHz
 -20 dB Max to 6 GHz
 -10 dB Max to 12 GHz

Dielectric Withstanding Voltage: 500 Volts
Contact Resistance: Center: 5 Meg Ohms
 Outer: 2.5 Meg Ohms
Insulation Resistance: 10,000 Meg Ohms

Installation / Removal Tool 107-1510

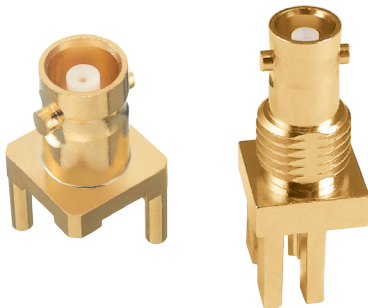


Material

Insulator Material: PTFE
Body Material: Brass
Body Finish: Nickel or Gold
Contact Material: Male – Brass
 Female – Beryllium Copper
Contact Finish: Gold
RoHS Compliant: Yes

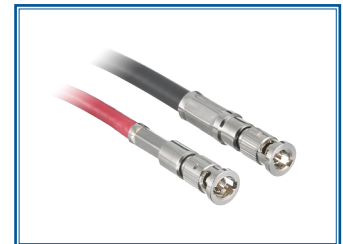
Mechanical

Mating: Bayonet Locking
Braid / Jacket: Hex Crimp
Center Contact: Solder / Crimp
Connector Durability: 500 Mating Cycles Min

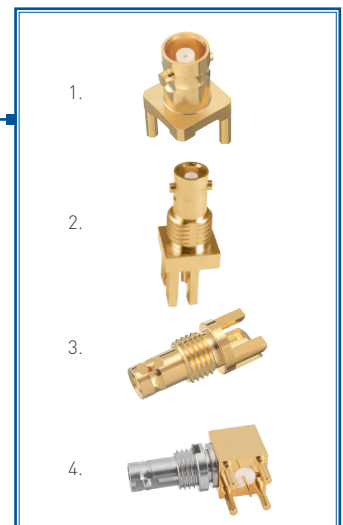


Part Number	Description	Crimp Tool with Die	Hex Size
HHD1505A	Straight Cable Plug, Belden 1505A	KTH-6001 or BDHD200	.042 / .255
HHD1855A	Straight Cable Plug, Belden 1855A	KTH-6001 or BDHD200	.042 / .178
HHD1694A	Straight Cable Plug, Belden 1694A	KTH-6001 or BDHD200	.042 / .278
HHD360IM	Straight Cable Plug, Argosy Image 360	KTH-6001 or BDHD200	.042 / .213

NOTE: Cable Plugs are available for all popular Broadcast Cables.



Part Number	Description	Plating	Photo
HHD361A714-TL	Vertical Jack - 3 Legs, .062" PCB	Gold	1
HHD361EHD704	Edge Mount E-Snap® Jack, .062" PCB	Gold	2
HHD361HDE704	Edge Mount Jack, .062" PCB	Gold	3
HHD364HDE704	Right-Angle Bulkhead Jack, .062" PCB	Nickel / Gold	4
HHDBNCP-NP	HD BNC Plug to N Plug Adapter	Nickel / Gold	Not Shown
HHDBNCJ-NP	HD BNC Jack to N Plug Adapter	Nickel / Gold	Not Shown
HHDBNCJ-BNCJ-IG	HD BNC Jack to BNC Bulkhead Isolated Ground	Nickel / Gold	Not Shown



DIN 1.0/2.3 Series Connectors exceed SMPTE 424M-2006 (3G-SDI), optimized to achieve superior electrical performance for 6G-SDI and 12G-SDI single 4K coax channels.

0345 Series DIN 1.0/2.3



The 0345 Series DIN 1.0/2.3 Cable Plugs and Jacks feature a self-locking push/pull interface that provides an audible snap and solid tactile engagement when mated.

Specifications

Electrical

Impedance: 75 Ohms
Frequency Range: DC – 12 GHz
Return Loss:
 -30 dB Max to 3 GHz
 -25 dB Max to 6 GHz
 -20 dB Max to 12 GHz

Material

Body: Brass
Center Contacts: Beryllium Copper
Insulators: PTFE
Ferrule: Bronze

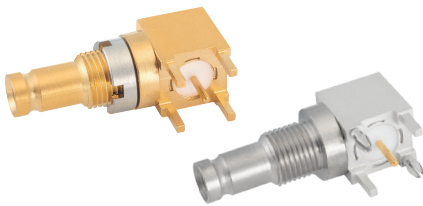
Mechanical

Durability: 500 Cycles Minimum
Mating: Push/Pull, Slide-on

Finishes

Body: Nickel over Copper
Outer/Center Contacts: Gold over Nickel
Ferrule: Nickel over Copper

This series complies with CECC 22230 specifications.

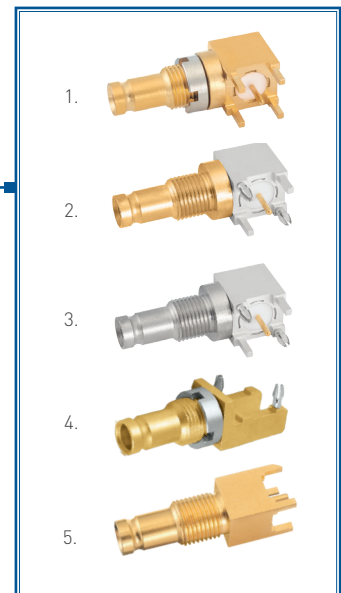


Part Number	Description	Crimp Die (KTH-1000)	Hex Size
0345-E00-C7101N	Straight Cable Plug, Belden 1505A	KTH-2261	.042 / .255
0345-E00-C7201N	Straight Cable Plug, Belden 1855A Mono Crimp	KTH-2025	.178
0345-E00-C7202N	Straight Cable Plug, Belden 1855A / Gepco VDM230	KTH-2025	.042 / .178
0345-E00-C7701N	Straight Cable Plug, Belden 179DT / RG179	KTH-2021	.042 / .128
0345-E00-C9001N	Straight Cable Plug, Belden 1694 / Gepco VSD2001	KTH-2325	.046 / .278
0345-E00-V3601N	Straight Cable Plug, Belden 1855 ENH / Argosy Image 360	KTH-2113	.042 / .213
0345-E00-C7204N	Straight Cable Plug (Non-Locking), Belden 1855A Cable	KTH-2025	.042 / .178

NOTE: Cable Plugs are available for all popular Broadcast Cables.



Part Number	Description	Plating	Photo
034B-060-00401H	PCB Jack, Right-Angle	Gold	1
034B-060-00402H	PCB Jack, Right-Angle, Board-Lock, Closed-Entry	Gold / Tin	2
034B-060-00402TK	PCB Jack, Right-Angle, Board-Lock, Closed-Entry	Nickel / Tin	3
0347-086-00402H	PCB Jack, Edge Mount, Board-Lock, Closed-Entry	Gold	4
0347-086-00402N	PCB Jack, Edge Mount, Board-Lock, Closed-Entry	Nickel / Gold	4
0347-060-00401H	DIN Straight PCB, .090 Solder Tail	Gold	5
0347-060-00402H	DIN Straight PCB, .155 Solder Tail	Gold	5



BNC 2065 Series Connectors exceed SMPTE 424M-2006 (3G-SDI), optimized to achieve superior electrical performance for 6G-SDI and 12G-SDI single 4K coax channels.

2065 Series BNC



The 2065 Series 75 Ohm BNC Cable Plug Connectors are quick-connect/quick-disconnect connectors that are easy to mate and un-mate with only a quarter turn of the coupling nut.

Specifications

Electrical

Impedance: 75 Ohms
Frequency Range: DC – 12 GHz
Return Loss:
 -30 dB Max to 3 GHz
 -20 dB Max to 6 GHz
 -10 dB Max to 12 GHz

Working Voltage: 500 VRMS at Sea Level

Dielectric

Withstanding Voltage: 1500 VRMS at Sea Level
Contact Resistance: Center Contact: \leq 3 Milliohms
Insulation Resistance: 5000 Meg Ohms Min

Environmental

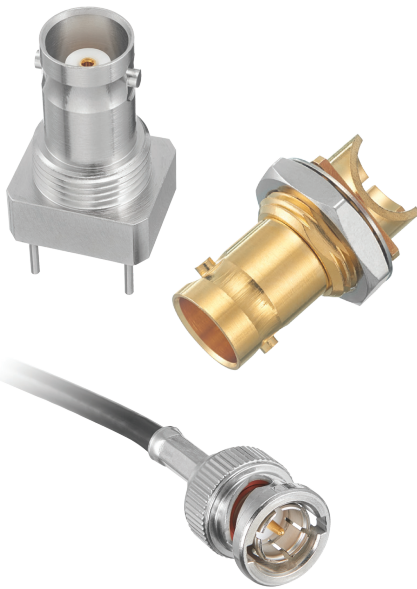
Temperature Range: - 40° C to + 65° C

Material

Body: Brass / Nickel Plated
Female Contact: Phosphor Bronze / BECU Gold
Male Contact: Brass / Gold Plated
Crimp Ferrule: Copper or Brass Nickel Plated
Insulator: PTFE

Mechanical

Coupling Nut Retention: 101 lbs.
Center Contact Retention: 6 lbs.
Engagement Force: 5 lbs.
Disengagement Force: 1.5 lbs.
Durability (Mating): 500 Cycles Min



Part Number	Description	Crimp Tool	Hex Sizes
2065-2-9	Straight Cable Plug, Belden 1505A	KTH-6001	.042 / .255
2065-2-9 M66	Straight Cable Plug, Belden 1505A	KTH-6001	.042 / .255
2065-10-9	Straight Cable Plug, Belden 1694A	KTH-6001	.046 / .278
2065-10-9 M66	Straight Cable Plug, Belden 1694A	KTH-6001	.046 / .278
2065-11-9	Straight Cable Plug, Belden 1855A	KTH-6001	.042 / .178
2065-11-9 M66	Straight Cable Plug, Belden 1855A	KTH-6001	.042 / .178

NOTE: Cable Plugs are available for all popular Broadcast Cables.

Winchester's HDD High Density BNC, 0345 Series DIN 1.0/2.3 and 2065 Series 75 Ohm BNC Specialty Broadcast Cable Plug Connectors can be used in a wide range of applications including Broadcast, Telecommunications, Test and Measurement, Security, and Medical.

Contact Information

Winchester Electronics
 199 Park Road Extension - Suite 104
 Middlebury, Connecticut 06762
 203.741.5400 Phone
 203.741.5500 Fax

Follow us:   



W-CT-001 Rev 042415